

operating instructions

instrucciones de operación

instructions

L A  B O Y[®]

La-Z-Touch[®]

massage system

sistema de masaje

systeme de massage

la-z-boy.com

La-Z-Boy Incorporated
1284 N. Telegraph Road
Monroe, MI 48162-3390

L A  B O Y[®]

Congratulations!

You are now the proud owner of a state-of-the-art La-Z-Touch® Massage Recliner by La-Z-Boy®.

You have just selected one of the finest quality upholstered products produced in the North American furniture industry, backed by over 75 years of quality manufacturing experience. La-Z-Boy® is proud of our designs and craftsmanship and know you will feel the same as you enjoy your new furniture's comfort and style.

IMPORTANT

Read these instructions thoroughly before using your La-Z-Touch® Massage Recliner. Keep them for future reference.

Table of Contents

Important Safety Instructions.....	4-5
La-Z-Touch® 2-Motor Massage & Heat Recliner Assembly Instructions	6-7
La-Z-Touch® 2-Motor Massage & Heat Recliner Operating Instructions.....	8-9
La-Z-Touch® 6-Motor Massage & Heat Recliner Assembly Instructions.....	10-11
La-Z-Touch® 6-Motor Massage & Heat Recliner Operating Instructions.....	12-13
La-Z-Touch® 10-Motor Massage & Heat Recliner Assembly Instructions	14-15
La-Z-Touch® 10-Motor Massage & Heat Recliner Operating Instructions.....	16-17
La-Z-Touch® 10-Motor Massage & Heat Recliner Programming Instructions.....	18
Reclining Tension Adjustment Instructions.....	19
3-Position Legrest Operating Instructions.....	20
Furniture Placement Guide.....	21

Important Safety Instructions:

Important: Read these instructions thoroughly before using.

DANGER – To reduce the risk of electric shock or serious injury:

- Disconnect the electrical plug from the wall outlet before cleaning, moving, servicing or when not in use for an extended period of time.
- Do not use this product if it is wet, in water, around water or any liquid.
- To prevent suffocation keep plastic bags away from children.
- Plug directly into a wall outlet. Do not use an extension cord, adapter or surge protector.

WARNING – To reduce the risk of burns, fire, electric shock or injury:

- Always keep open flame and lit cigarettes away from upholstered furniture. Upholstered furniture may burn rapidly with toxic gas and thick smoke.
- Closely supervise children and disabled persons using this product.
- Sit down in the unit slowly. To avoid tipover, do not throw your weight against the back of the unit. Move the unit into or out of the reclining position slowly, making sure that no children or pets are in close proximity.
- This product has many moving parts, serious injury can occur if not used properly. Keep hands, fingers and body parts away from the mechanism. To reduce the risk of head entrapment and other injuries, keep children and pets away from the openings and moving parts in and around furniture.
- Only the occupant should operate the unit. Never attempt to open the legrest by pulling on it.
- Do not stand, sit or place extra weight on the arms, back or open legrest.
- To safely exit the unit and prevent a tripping hazard bring the back upright and close the legrest.
- Do not use this product if it is damaged. Do not use attachments or substitute parts.
- This product is intended for indoor residential use only.
- Provide a clear path for operation of the chair, back and legrest. Place tables and area rugs at a distance to allow the legrest to fully extend without rubbing or interference.
- Check the condition of the power transformers, electrical cords, plugs and connectors monthly. Keep the power transformer and electrical cords away from heat sources. Never operate the unit with a damaged power transformer, electrical cord, plug or connector. Contact your La-Z-Boy® dealer for service.
- Do not use unit if power control is damaged or wet. Do not use unit if the hand wand has been dropped in water or any liquid. Contact your La-Z-Boy® dealer for service.
- This product is not intended for use as a health care device.
- Users of medical devices should contact their health care provider before using this product. Do not use this product if you have poor circulation, are immobile or cannot sense heat, except as directed by your health care provider.

Save These Instructions

Important Safety Instructions:

Important: Read these instructions thoroughly before using.

- Do not use this product where aerosol (spray) products are being used or where oxygen is being administered.
- Do not operate the unit until the back is installed and locked.
- Before moving the product, disconnect the electrical plug from the wall outlet and secure the mechanism to prevent unexpected opening or movement. Never move the product by the mechanism, legrest, handle, reclining back or swivel base.
- This unit is equipped with a tension adjustment feature for the reclining mechanism that is preset at the factory. The tension setting can be changed for your personal preference. To avoid tipover and insure stability, do not operate the unit with the tension adjustment wing nuts completely loosened (see *Reclining Tension Adjustment Instructions*).
- Do not attempt to disassemble or service the pump or motor. No serviceable parts are inside. Contact your La-Z-Boy® dealer for service information.
- Do not allow electrical cord to be pinched between moving parts or between the frame and the floor. Do not place cord under carpet or in location where it could become worn.
- Do not use pillow, blanket, or other cover between occupant and chair surface when heat is engaged.
- Always unplug the power cord before connecting or disconnecting the hand wand.
- Unplug the power cord immediately if you detect strange odors or fumes coming from the chair.
- Burns may result from improper use and care of internal heating pads. To avoid risk of burns, do not use pins, do not allow heating pad area to become wet, and do not remove upholstery cover.
- To reduce the risk of electric shock, this product has a polarized plug (one blade is wider than the other). This plug will fit in a polarized outlet only one way. If the plug does not fit fully in the outlet, reverse the plug. If it still does not fit, contact a qualified electrician to install the proper outlet. Do not change the plug in any way.

NOTICE: To reduce the risk of product damage –

- Damage will occur to the mechanism if the legrest is forced closed from the 1st or 2nd position. The legrest must be extended to the 3rd position and then closed.

Save These Instructions

La-Z-Touch® 2-Motor Massage & Heat Recliner Assembly Instructions:

⚠ WARNING - To reduce the risk of injury:

- Do not operate the unit until the back is installed and locked.

NOTICE: Do not plug the transformer in until instructed.

1. The power transformer is secured to the seat swing. Carefully cut the cable tie and set the power transformer aside.
2. Install the back.
 - Lay the back across the arms of the body (FIGURE 1).
 - Lift the back at a slight angle and align the brackets on the back with the brackets on the body (FIGURE 2).
 - Lower the back onto the body, making sure the back and body brackets are completely engaged.
 - Lock the brackets by using a screwdriver to push down the locking levers (FIGURE 3).
3. Locate the massage connectors.
 - Stand at the side of the chair and push the back rearward to recline the seat and back.
 - Gently tip the chair forward to rest on its arms and the top of the back, revealing the underside of the chair and the connectors.
4. Identify the two connections you will make.
 - Locate the three wires with connectors next to the body rear rail, toward the center.
 - The two rectangular-shaped connectors are for the Hand Wand connection (FIGURE 1).
 - The round-shape connector is for the Power Transformer connection (FIGURE 1).
5. Connect the Hand Wand.
 - Align the two rectangular-shaped Hand Wand connectors (some of the connector pins are square, others are round).
 - Push the connectors together until they lock.
6. Connect the Power Transformer.
 - Plug the Power Transformer connector into the connector located at the center, bottom panel of the chair back. Make sure the connectors are secured with no gaps between them.
7. Return the chair to its upright position.
 - Hold the Power Transformer cord away from the base and gently tip the chair back, until it is completely upright and setting on its base. **Make sure the Power Transformer cord is not pinched** between the base and the floor. Return the seat and back to the upright position.
8. Choose a location for the chair that is close to an electrical outlet and proceed to the Operating Instructions.

NOTICE: To prevent damage to the connectors and cords, it is important to unfasten all connections prior to removing the back. Reverse the Assembly instruction steps when removing the back.

La-Z-Touch® 2-Motor Massage & Heat Recliner Assembly Details:

FIGURE 1

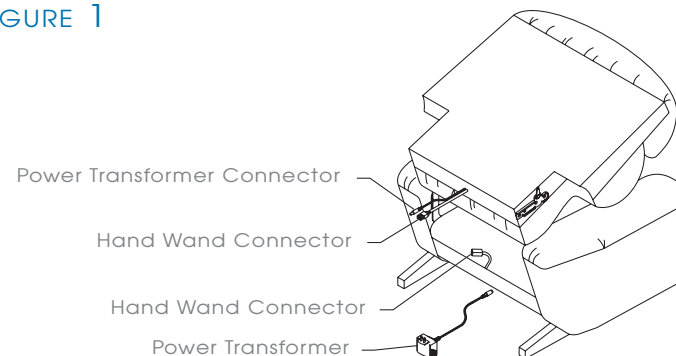


FIGURE 2

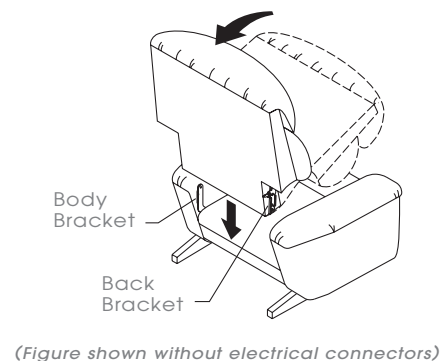
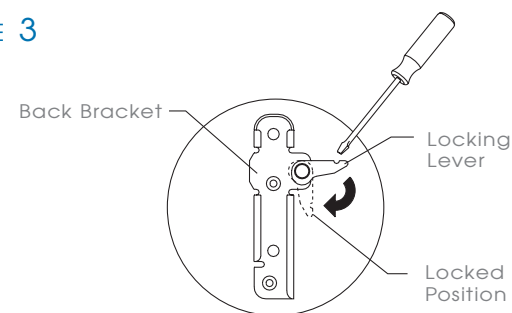


FIGURE 3



La-Z-Touch® 2-Motor Massage & Heat Recliner Operating Instructions:

Review Important Safety Instructions at the front of this booklet before operating.

Plug in the Power Transformer. Make sure there is enough slack in the cord running from the chair to the outlet to allow for rocking and reclining. Never stretch or strain a cord.

NOTE: Automatic Timer Operation

The system has an automatic timer that will shut off the **MASSAGE** and **HEAT** functions after approximately 15 to 30 minutes of operation.

- Pushing down on the **POWER** button or either zone button will restart the massage.
- Pushing down on the **HEAT** button will restart the heat. Push down once for Low Heat and twice for High Heat.
- When you are finished, make sure to push the **POWER** button and the **HEAT** button (if activated) to turn the system off. Press the **HEAT** button twice if in Low Heat setting.
- The timer will also reset if you unplug the Power Transformer or if there is a power outage.

NOTICE: The massage and heat functions may start automatically when electrical power is restored after a power outage. The timer should automatically shut down the massage and heat within 15 to 30 minutes. There should be no risk of injury or damage if this happens.

Troubleshooting for Chairs with 2-Motor Massage & Heat

There are no user maintenance or repair requirements. If the massage or heat function does not work:

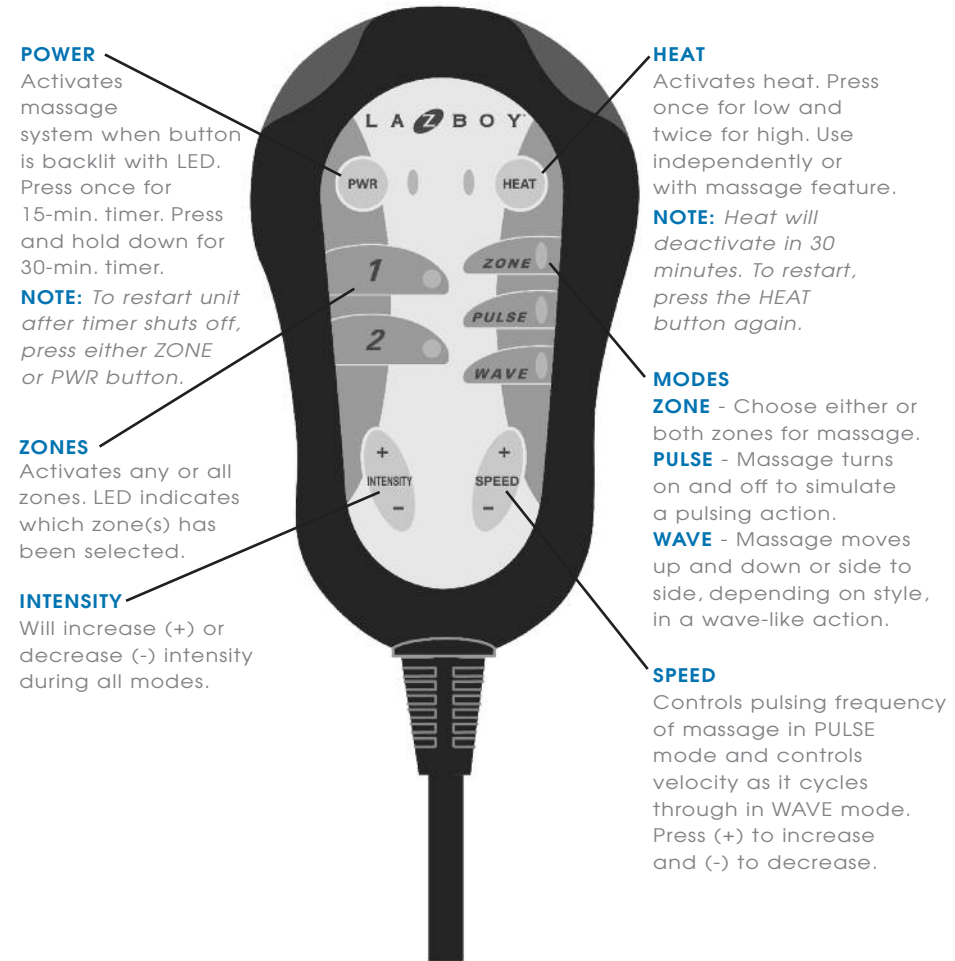
1. Make sure the Automatic Timer Operation has not been activated. Press the **POWER** button to restart the massage. Press the **HEAT** button to restart the heat.
2. Make sure the Power Transformer is plugged into an electrical outlet.
3. Make sure the electrical outlet is working. For example, make sure there are no blown fuses or tripped circuit breakers.
4. Make sure all the connectors are secured; refer to the Assembly Instructions.
5. Make sure that the electrical cords are not crimped or pinched. Make sure the electrical cord or plug is not damaged. If the massage system still does not operate properly, contact your dealer for instructions on returning the unit for examination and repair. Except for replacement of the Power Transformer, never attempt to make any repairs or adjustments yourself.

Power Transformer Replacement

If the Power Transformer must be replaced:

1. Unplug the Power Transformer from the electrical outlet.
2. Locate the Power Transformer connection; refer to the Assembly Instructions. Gently pull the connectors apart to disengage.
3. Push the replacement Power Transformer connector into the mating connector; refer to the Assembly Instructions. Make sure the connectors are secured with no gaps between them.

La-Z-Touch® 2-Motor Massage & Heat Recliner Operating Instructions:



LA-Z-TOUCH® 2-MOTOR MASSAGE TRANSFORMER SPECIFICATIONS:

Input: AC 120V 60 Hz 30 W
Output: AC 12V 1.5 AMP

La-Z-Touch® 6-Motor Massage & Heat Recliner Assembly Instructions:

⚠ WARNING - To reduce the risk of injury:

- Do not operate the unit until the back is installed and locked.

NOTICE: Do not plug the transformer in until instructed.

1. The power transformer is secured to the seat swing. Carefully cut the cable tie and set the power transformer aside.
2. Install the back.
 - Lay the back across the arms of the body (FIGURE 1).
 - Lift the back at a slight angle and align the brackets on the back with the brackets on the body (FIGURE 2).
 - Lower the back onto the body, making sure the back and body brackets are completely engaged.
 - Lock the brackets by using a screwdriver to push down the locking levers (FIGURE 3).
3. Locate the massage connectors.
 - Stand at the side of the chair and push the back rearward to recline the seat and back.
 - Gently tip the chair forward to rest on its arms and the top of the back, revealing the underside of the chair and the connectors.
4. Identify the three connections you will make.
 - Locate the five wires with connectors. Four wires are located next to the rear body rail. One wire is located next to the body side panel; if the chair has an arm storage pocket it is located on the left side and if the chair has an arm storage compartment it is located on the right side.
 - The two square-shaped connectors are for the Vibrating Motor connection (FIGURE 1).
 - The one smaller, round-shaped connector is for the Power Transformer connection (FIGURE 1).
 - The two larger, round-shaped connectors with white dots are for the Hand Wand connection (FIGURE 1).
5. Connect the Vibrating Motors.
 - Align the two square-shaped Vibrating Motor connectors (some of the connector pins are square, others are round).
 - Push the connectors together until they lock.
6. Connect the Hand Wand.
 - Align the white dots on the Hand Wand connectors.
 - Push the connectors together until they are secured with no gaps between them.
7. Connect the Power Transformer.
 - Plug the Power Transformer connector into the connector located next to the rear body rail, so the cord is to the back of the chair, away from the bottom of the base and mechanism. Make sure the connectors are secured with no gaps between them.
8. Return the chair to its upright position.
 - Hold the Power Transformer cord away from the base and gently tip the chair back, until it is completely upright and setting on its base. **Make sure the Power Transformer cord is not pinched** between the base and the floor. Return the seat and back to the upright position.
9. Choose a location for the chair that is close to an electrical outlet and proceed to the Operating Instructions.

NOTICE: To prevent damage to the connectors and cords, it is important to unfasten all connections prior to removing the back. Reverse the Assembly Instruction steps when removing the back.

La-Z-Touch® 6-Motor Massage & Heat Recliner Assembly Details:

FIGURE 1

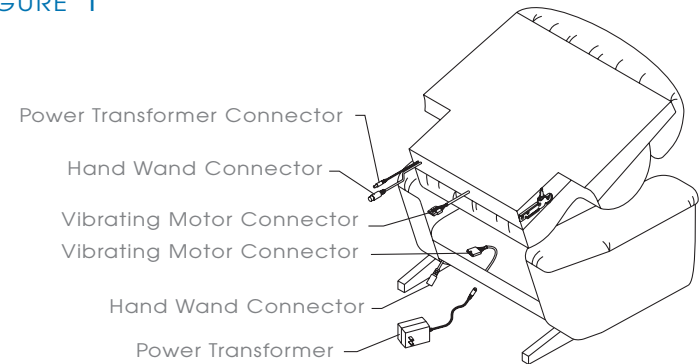
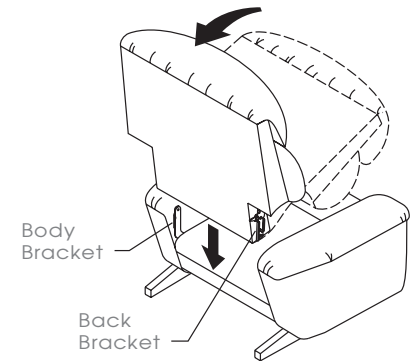
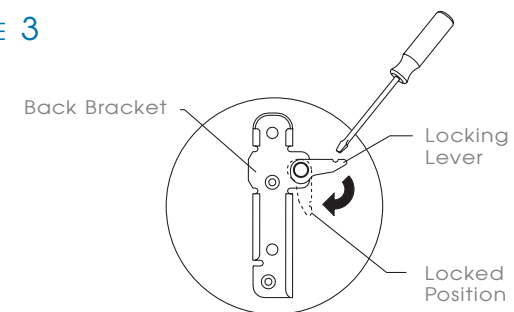


FIGURE 2



(Figure shown without electrical connectors)

FIGURE 3



La-Z-Touch® 6-Motor Massage & Heat Recliner Operating Instructions:

Review Important Safety Instructions at the front of this booklet before operating.

Plug in the Power Transformer. Make sure there is enough slack in the cord running from the chair to the outlet to allow for rocking and reclining. Never stretch or strain a cord.

NOTE: Automatic Timer Operation

The system has an automatic timer that will shut off the **MASSAGE** and **HEAT** functions after approximately 15 to 30 minutes of operation.

- Pushing down on the **POWER** button or either zone button will restart the massage.
- Pushing down on the **HI** or **LO** heat button will restart the heat.
- When you are finished, make sure to push the **POWER** button and the **HI** or **LO** heat button (if activated) to turn the system off.
- The timer will also reset if you unplug the Power Transformer or if there is a power outage.

NOTICE: The massage and heat functions may start automatically when electrical power is restored after a power outage. The timer should automatically shut down the massage and heat within 15 to 30 minutes. There should be no risk of injury or damage if this happens.

Troubleshooting for Units with 6-Motor Massage & Heat

There are no user maintenance or repair requirements. If the massage or heat function does not work:

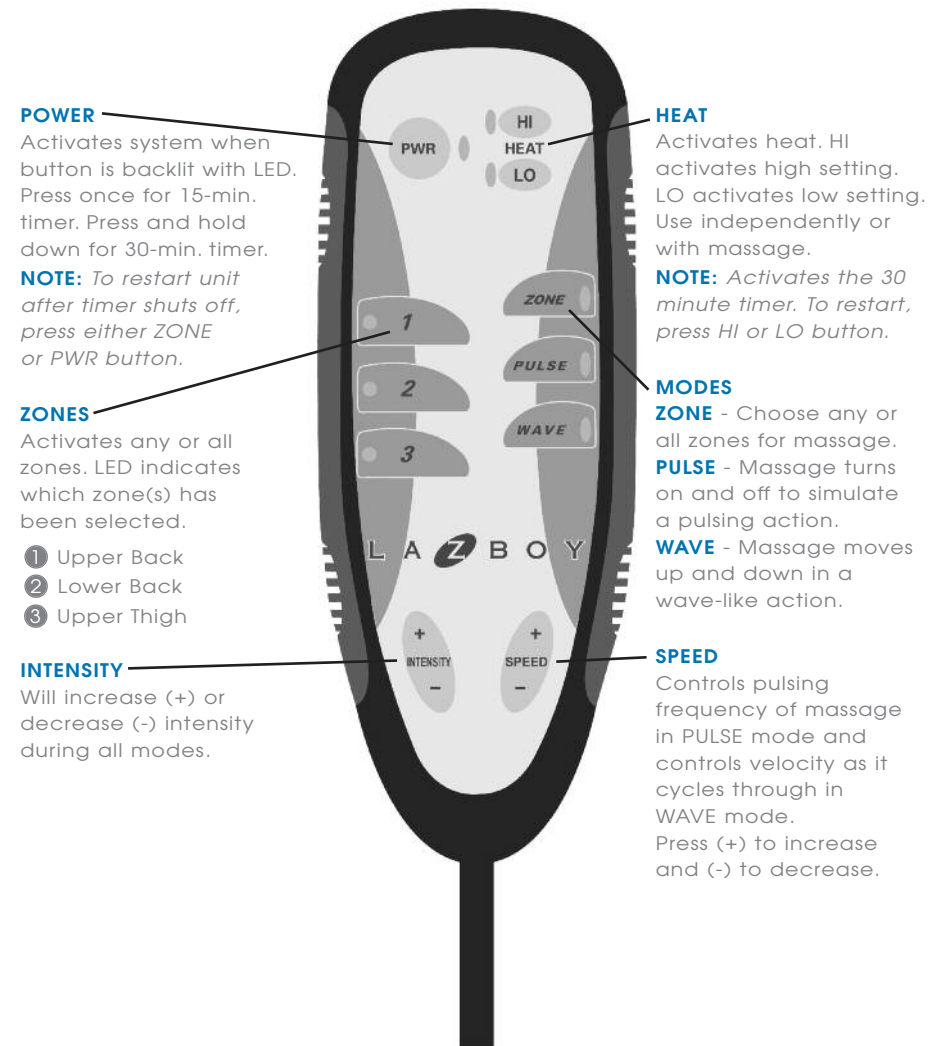
1. Make sure the Automatic Timer Operation has not been activated. Press the **POWER** button to restart the massage. Press the **HI** or **LO** heat button to restart the heat.
2. Make sure the Power Transformer is plugged into an electrical outlet.
3. Make sure the electrical outlet is working. For example, make sure there are no blown fuses or tripped circuit breakers.
4. Make sure all the connectors are secured; refer to the Assembly Instructions.
5. Make sure that the electrical cords are not crimped or pinched. Make sure the electrical cord or plug is not damaged. If the massage system still does not operate properly, contact your dealer for instructions on returning the unit for examination and repair. Except for replacement of the Power Transformer, never attempt to make any repairs or adjustments yourself.

Power Transformer Replacement

If the Power Transformer must be replaced:

1. Unplug the Power Transformer from the electrical outlet.
2. Locate the Power Transformer connection; refer to the Assembly Instructions. Gently pull the connectors apart to disengage.
3. Push the replacement Power Transformer connector into the mating connector; refer to the Assembly Instructions. Make sure the connectors are secured with no gaps between them.

La-Z-Touch® 6-Motor Massage & Heat Recliner Operating Instructions:



LA-Z-TOUCH® 6-MOTOR MASSAGE & HEAT TRANSFORMER SPECIFICATIONS:

Input: AC 120V 60 Hz 36 W
Output: AC 12V 2000mA

La-Z-Touch® 10-Motor Massage & Heat Recliner Assembly Instructions:

⚠ WARNING - To reduce the risk of injury:

- Do not operate the unit until the back is installed and locked.

NOTICE: Do not plug the transformer in until instructed.

1. The power transformer is secured to the seat swing. Carefully cut the cable tie and set the power transformer aside.
2. Install the back.
 - Lay the back across the arms of the body (FIGURE 1).
 - Lift the back at a slight angle and align the brackets on the back with the brackets on the body (FIGURE 2).
 - Lower the back onto the body, making sure the back and body brackets are completely engaged.
 - Lock the brackets by using a screwdriver to push down the locking levers (FIGURE 3).
3. Locate the massage connectors.
 - Stand at the side of the chair and push the back rearward to recline the seat and back.
 - Gently tip the chair forward to rest on its arms and the top of the back, revealing the underside of the chair and the connectors.
4. Identify the three connections you will make.
 - Locate the five wires with connectors. Four wires are located next to the rear body rail. One wire is located next to the body side panel; if the chair has an arm storage pocket it is located on the left side and if the chair has an arm storage compartment it is located on the right side.
 - The two square-shaped connectors are for the Vibrating Motor connection (FIGURE 1 & 4).
 - The one smaller, round-shaped connector is for the Power Transformer connection (FIGURE 1 & 4).
 - The two larger, round-shaped connectors with white dots are for the Hand Wand connection (FIGURE 1 & 4).
5. Connect the Vibrating Motors.
 - Align the two square-shaped Vibrating Motor connectors (some of the connector pins are square, others are round).
 - Push the connectors together until they lock (FIGURE 5).
6. Connect the Hand Wand.
 - Align the white dots on the Hand Wand connectors.
 - Push the connectors together until they are secured with no gaps between them (FIGURE 5).
7. Connect the Power Transformer.
 - Plug the Power Transformer connector into the connector located next to the rear body rail so the cord is to the back of the chair, away from the bottom of the base and mechanism. Make sure the connectors are secured with no gaps between them (FIGURE 5).
8. Return the chair to its upright position.
 - Hold the Power Transformer cord away from the base and gently tip the chair back, until it is completely upright and setting on its base. **Make sure the Power Transformer cord is not pinched** between the base and the floor. Return the seat and back to the upright position.
9. Choose a location for the chair that is close to an electrical outlet and proceed to the Operating Instructions.

NOTICE: To prevent damage to the connectors and cords, it is important to unfasten all connections prior to removing the back. Reverse the Assembly Instruction steps when removing the back.

La-Z-Touch® 10-Motor Massage & Heat Recliner Assembly Details:

FIGURE 1

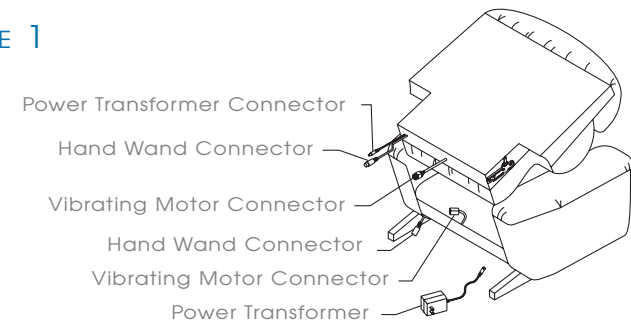


FIGURE 2

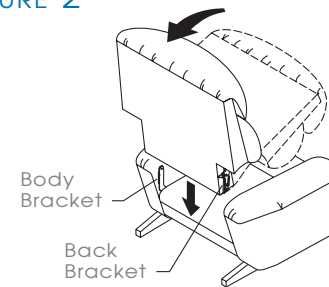
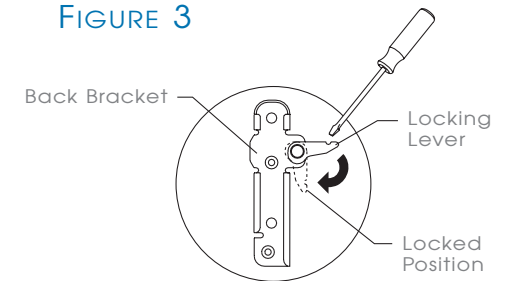


FIGURE 3



(Figure shown without electrical connections)

FIGURE 4

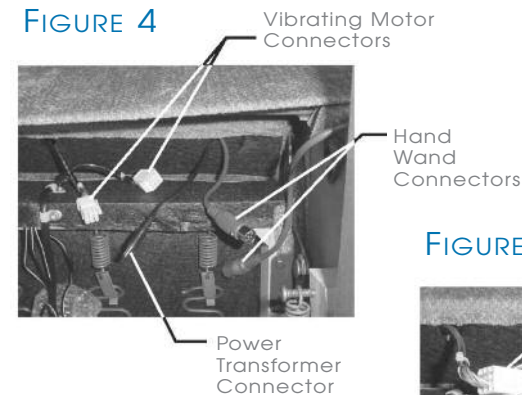
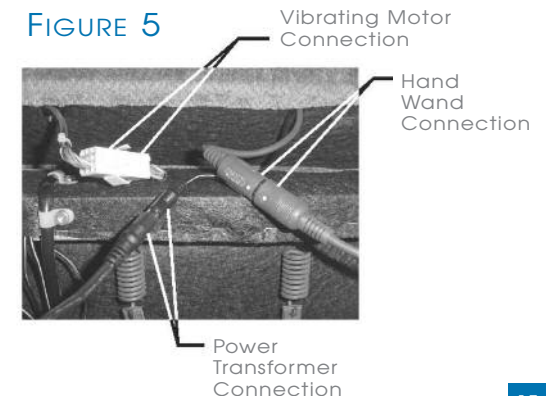


FIGURE 5



La-Z-Touch® 10-Motor Massage & Heat Recliner Operating Instructions:

Review Important Safety Instructions at the front of this booklet before operating.

Plug in the Power Transformer. Make sure there is enough slack in the cord running from the chair to the outlet to allow for rocking and reclining. Never stretch or strain a cord.

NOTE: Automatic Timer Operation

The system has an automatic timer that will shut off the **MASSAGE** and **HEAT** functions after approximately 15 to 30 minutes of operation.

- Pushing down on the **POWER** button or either zone button will restart the massage.
- Pushing down on the **HEAT** button will restart the heat. Push down once for Low Heat and twice for High Heat.
- When you are finished, make sure to push the **POWER** button and the **HEAT** button (if activated) to turn the unit off. Press the **HEAT** button twice if in Low Heat setting.
- The timer will also reset if you unplug the Power Transformer or if there is a power outage.

NOTICE: The massage and heat functions may start automatically when electrical power is restored after a power outage. The timer should automatically shut down the massage and heat within 15 to 30 minutes. There should be no risk of injury or damage if this happens.

Troubleshooting for Chairs with 10-Motor Massage & Heat

There are no user maintenance or repair requirements. If the massage or heat function does not work:

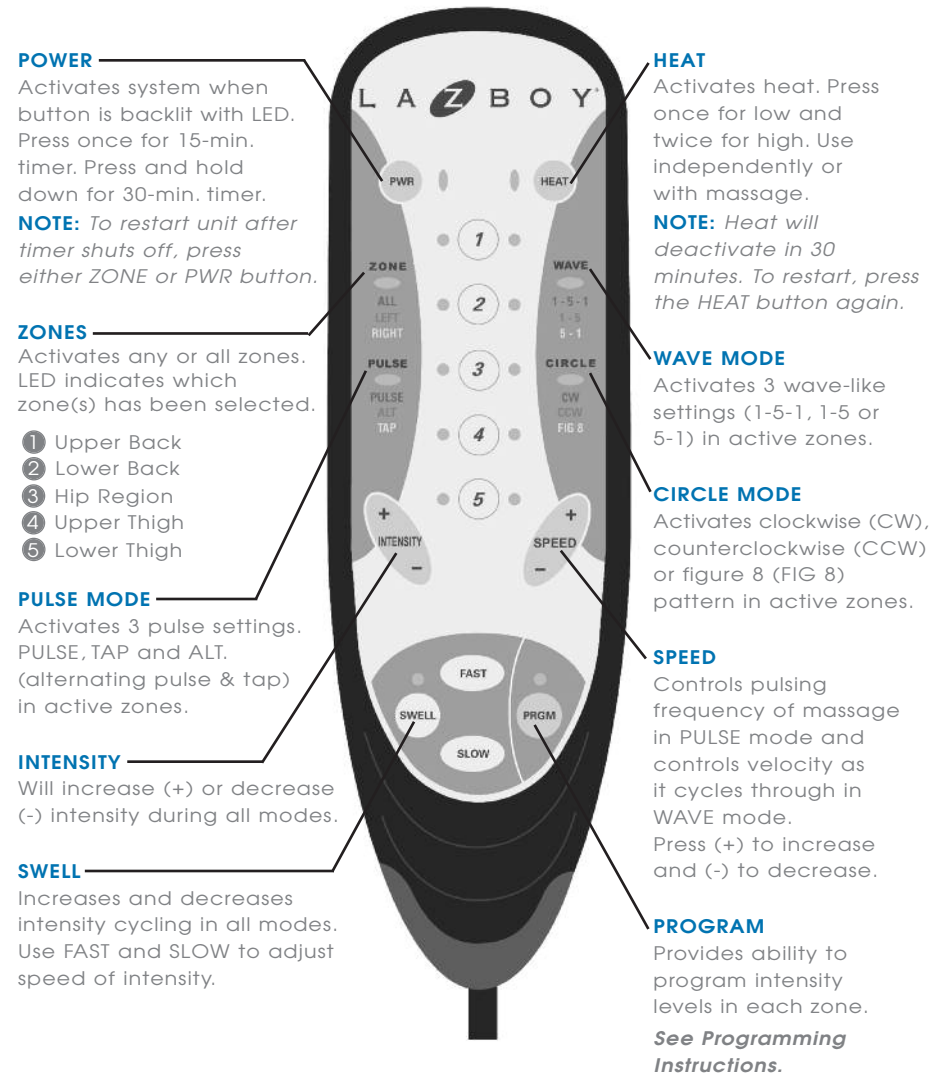
1. Make sure the Automatic Timer Operation has not been activated. Press the **POWER** button to restart the massage. Press the **HEAT** button to restart the heat.
2. Make sure the Power Transformer is plugged into an electrical outlet.
3. Make sure the electrical outlet is working. For example, make sure there are no blown fuses or tripped circuit breakers.
4. Make sure all the connectors are secured; refer to the Assembly Instructions.
5. Make sure that the electrical cords are not crimped or pinched. Make sure the electrical cord or plug is not damaged. If the massage system still does not operate properly, contact your dealer for instructions on returning the unit for examination and repair. Except for replacement of the Power Transformer, never attempt to make any repairs or adjustments yourself.

Power Transformer Replacement

If the Power Transformer must be replaced:

1. Unplug the Power Transformer from the electrical outlet.
2. Locate the Power Transformer connection; refer to the Assembly Instructions. Gently pull the connectors apart to disengage.
3. Push the replacement Power Transformer connector into the mating connector; refer to the Assembly Instructions. Make sure the connectors are secured with no gaps between them.

La-Z-Touch® 10-Motor Massage & Heat Recliner Operating Instructions:



LA-Z-TOUCH® 10-MOTOR MASSAGE & HEAT TRANSFORMER SPECIFICATIONS:

Input: AC 120V 60 Hz 36 W
Output: AC 12V 2000mA

La-Z-Touch® 10-Motor Massage & Heat Recliner Programming Instructions:

The program feature provides the ability to program the intensity levels of the vibrating massage motors in each zone.

To Use The Program Feature

1. Press **PRGM** to activate the feature (the light will start blinking).
2. Press **ZONE 1**, Upper Back, and set the intensity level desired.
 - Press + intensity to increase the intensity level
 - Press - intensity to decrease the intensity level
3. Press **ZONE 2**, Lower Back, and set the intensity level desired.
4. Press **ZONE 3**, Hip Region, and set the intensity level desired.
5. Press **ZONE 4**, Upper Thigh, and set the intensity level desired.
6. Press **ZONE 5**, Lower Thigh, and set the intensity level desired.
7. Press **PRGM** to use the set intensity program that you just selected, which can be used with any ZONES selected and in any mode—PULSE, WAVE and CIRCLE (the light will now remain steady).
8. Press **PRGM** again to deactivate the set intensity program mode and return to the default settings (the light will go off).

Your program remains in memory until you set a new program. To activate the set program again

1. Press **PRGM** to activate the feature (the light will start blinking).
2. Press **PRGM** again to use the last programmed setting (the light will now remain steady).
3. Press **PRGM** again to deactivate the feature and return to the default settings (the light will turn off).

NOTE: The program may be reset to the default settings when a disruption in the power supply occurs, such as an electrical power outage, and you will need to reset the program to your desired settings.

Reclining Tension Adjustment Instructions:

Customize the reclining action of your Reclina-Rocker® or Reclina-Way® Chair.

WARNING – Risk of injury.

- This unit is equipped with a tension adjustment feature for the reclining mechanism that is preset at the factory. The tension setting can be changed for your personal preference. To avoid tipover and assure stability, do not operate the unit with the tension adjustment wing nuts completely loosened (see Adjustment Instructions).

NOTICE: Risk of damage.

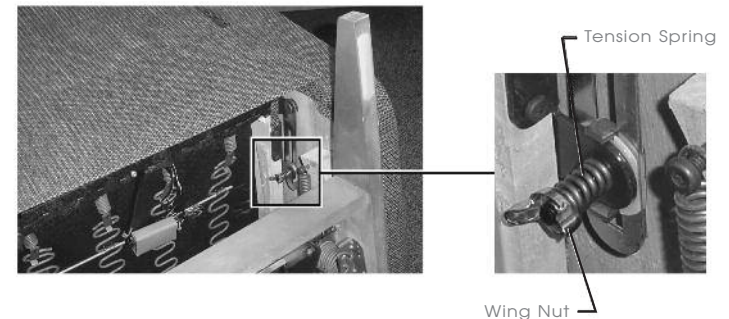
- Make sure the legrest on each unit is closed before tilting forward and adjusting the tension.
- Do not completely tighten the wing nuts, as damage will occur. The tension springs should not be completely compressed after making adjustments. If this occurs, the wing nuts must be loosened counterclockwise a minimum of ½-turn to avoid damage to the spring tension assembly.
- Do not completely loosen the wing nuts. The spring should not slide on the bolt after making adjustments. If the spring slides on the bolt, tighten the wing nut clockwise a minimum of ½-turn, after the spring no longer slides on the bolt.
- Adjust both wing nuts equally.

Reclining Tension Adjustment Instructions

You can adjust the tension of the reclining mechanism to respond to your individual size.

1. Gently tilt the reclining chair forward to rest on its arms and top of the back. Locate the wing nuts, one on each side, toward the *back* of the recliner under each reclining seat (FIGURE 1; only one side shown).
2. Adjust the tension by turning the wing nuts in ¼-turn increments until the desired setting is reached.
 - A taller or heavier person may choose to increase the reclining tension by tightening the wing nuts clockwise.
 - A smaller person may choose to decrease the reclining tension by loosening the wing nuts counterclockwise.
3. Return the reclining chair to the upright position. Test the new setting. Make additional adjustments if needed following these steps.

FIGURE 1



3-Position Legrest Operating Instructions:

Reclina-Rocker® or Reclina-Way® Chair.

⚠️ WARNING – Risk of injury.

- Provide a clear path for operation of the chair, back, and legrest. Place tables and area rugs at a distance to allow the legrest to fully extend without rubbing or interference.
- To safely exit the unit and prevent a tripping hazard bring the back upright and close the legrest.

NOTICE: Risk of damage.

- Damage may occur to the mechanism if the legrest is forced closed from the 1st or 2nd position. The legrest must be extended to the 3rd position and then closed.

To Operate the Legrest

1. Your La-Z-Boy® reclining chair is equipped with a three-position locking legrest for customized seating comfort. Simply pull on the handle rotating it counterclockwise to control the legrest (FIGURE 1). You may stop in any one of three ideal positions. The 1st position is slightly inclined for relaxing reading (FIGURE 2). The 2nd position is slightly more inclined for comfortable television viewing (FIGURE 3). The 3rd position is fully extended for complete relaxation (FIGURE 4). To lower the legrest, rotate the handle counterclockwise to the fully extended position, then rotate clockwise to the fully closed position.
2. Reclining the chair back is independent of the operation of the legrest. The chair back can be reclined with the legrest closed or extended. To recline, apply pressure to the back. Sit upright to return the back to an upright position.
3. Bring the back upright and close the legrest before getting out of the unit.

Additional Feature on Selected Styles

The chair body can be tilted back when the legrest is in use. Shifting your body weight rearward will cause the chair body to tilt backward offering a number of different positions.

FIGURE 1

CLOSED POSITION



FIGURE 2

1ST POSITION



FIGURE 3

2ND POSITION



FIGURE 4

3RD POSITION



Furniture Placement Guide:

⚠️ WARNING – Risk of injury.

- Provide a clear path for operation of the chair, back, and legrest. Place tables and area rugs at a distance to allow the legrest to fully extend without rubbing or interference.

Furniture Placement

To place your reclining unit the proper distance from the wall, fully recline the unit leaving a minimum of 2" of space between the top of the back and the wall (FIGURE 1).

Make sure tables and other items are at a safe distance to avoid interference with the operation of the legrest. Improper placement of a table could cause the occupant to become trapped in the seat (FIGURE 2). There must be enough clearance for the legrest to be fully extended before closing.

FIGURE 1



FIGURE 2



¡Felicitaciones!

Usted es ahora el orgulloso propietario de un moderno sillón reclinable con de La-Z-Boy®.

Acaba de seleccionar uno de los productos tapizados de más alta calidad originados en la industria mobiliaria de Estados Unidos, con el respaldo de más de 75 años de excelencia en fabricación.

En La-Z-Boy® estamos orgullosos de nuestros diseños y nuestro trabajo, y sabemos que usted sentirá lo mismo cuando comience a disfrutar del confort y el estilo de su nuevo mobiliario.

IMPORTANTE

Lea estas instrucciones cuidadosamente antes de usar su sillón reclinable con masaje La-Z-Touch®. Guárdelos para futura referencia.

Tabla de contenidos

Instrucciones de seguridad importantes.....	24-25
Instrucciones de armado del sillón reclinable La-Z-Touch® con función térmica y masaje de 2 motores.....	26-27
Instrucciones de utilización del sillón reclinable La-Z-Touch® con función térmica y masaje de 2 motores.....	28-29
Instrucciones de armado del sillón reclinable La-Z-Touch® con función térmica y masaje de 6 motores.....	30-31
Instrucciones de utilización del sillón reclinable La-Z-Touch® con función térmica y masaje de 6 motores.....	32-33
Instrucciones de armado del sillón reclinable La-Z-Touch® con función térmica y masaje de 10 motores.....	34-35
Instrucciones de utilización del sillón reclinable La-Z-Touch® con función térmica y masaje de 10 motores.....	36-37
Instrucciones de programación del sillón reclinable La-Z-Touch® con función térmica y masaje de 10 motores.....	38
Instrucciones de ajuste de la tensión de reclinación.....	39
Instrucciones de utilización del apoyapiernas de 3 posiciones.....	40
Guía para la ubicación del mobiliario.....	41

Instrucciones de seguridad importantes:

Importante: Lea atentamente estas instrucciones antes de utilizar el producto.

PELIGRO – Para reducir el riesgo de choque eléctrico o lesiones serias:

- Desconecte el enchufe eléctrico del tomacorriente antes de limpiar, mover o hacer un servicio al sillón, o cuando éste no se use por un período prolongado.
- No utilice este producto si el mismo está húmedo, en el agua, o cerca de ésta u otro líquido. Para reducir el riesgo de quemaduras, incendio, choque eléctrico o lesiones.
- Para evitar la asfixia, mantenga las bolsas plásticas lejos de los niños.
- Enchufe directamente en un tomacorriente de pared. No utilice un cable de extensión, adaptador o protector contra sobretensión.

ADVERTENCIA – Para reducir el riesgo de choque eléctrico o lesiones serias:

- Siempre mantenga las llamas abiertas y los cigarrillos encendidos lejos del mobiliario tapizado, ya que éste puede arder rápidamente, produciendo gas tóxico y humo espeso.
- Supervise de cerca a los niños y a las personas incapacitadas cuando utilicen este producto.
- Siéntese en la unidad lentamente. Para evitar que ésta se tumbe, no arroje su peso contra el respaldo. Recline o enderece la unidad lentamente, asegurándose de que no haya niños ni mascotas cerca.
- Este producto tiene muchas partes móviles que pueden causar lesiones serias si no se utilizan correctamente. Mantenga las manos, dedos y demás partes del cuerpo lejos del mecanismo. Para reducir el riesgo de que la cabeza quede atrapada y de otras lesiones, mantenga a los niños y a las mascotas lejos de las aberturas y piezas móviles del mobiliario.
- Sólo el ocupante debe operar la unidad. Nunca trate de abrir el apoyapiernas jalándolo.
- No se pare, no se siente ni coloque peso adicional sobre los apoyabrazos, el respaldo o el apoyapiernas abierto.
- Para salir de la unidad sin problemas y evitar el riesgo de tropezos, enderece el respaldo y cierre el apoyapiernas.
- Si el producto está dañado, no lo use. No utilice accesorios ni componentes sustitutos.
- Este producto es sólo para uso residencial en interiores.
- Deje un espacio libre para el funcionamiento del respaldo y el apoyapiernas del sillón. Coloque las mesas y alfombras sueltas a distancia para poder extender completamente el apoyapiernas sin roces ni interferencias.
- Verifique mensualmente el estado de los transformadores de energía, los cables eléctricos, los enchufes y los conectores. Mantenga los transformadores de energía y los cables eléctricos alejados de fuentes de calor. Nunca ponga la unidad en funcionamiento si un transformador de energía, un cable eléctrico, un enchufe o un conector están dañados. Comuníquese con su representante de La-Z-Boy para realizar el mantenimiento de la unidad.

Instrucciones de seguridad importantes:

Importante: Lea atentamente estas instrucciones antes de utilizar el producto.

- No use la unidad si el control de encendido está dañado o húmedo, o si la varilla de comando ha caído al agua u otro líquido. Comuníquese con el representante de La-Z-Boy® para realizar un servicio a la unidad.
- Este producto no fue diseñado como dispositivo de asistencia médica.
- Quienes utilicen dispositivos médicos, deben consultar a su profesional de la salud antes de usar este producto. No lo utilice si sufre de mala circulación, está inmovilizado o es insensible al calor, salvo que así se lo indique su profesional de la salud.
- No utilice este sillón donde se usen productos en aerosol (en atomizador) ni donde se administre oxígeno.
- No opere la unidad hasta que el respaldo esté instalado y fijo.
- Antes de mover el producto, desconecte el enchufe eléctrico del tomacorriente de pared y asegure el mecanismo para evitar una abertura o movimiento inesperado. Nunca mueva el producto al jalar el mecanismo, el apoyapiernas, la manija, el respaldo reclinable o la base giratoria.
- Esta unidad está equipada con una función de ajuste de tensión para el mecanismo reclinable, la cual viene preajustada de fábrica pero puede cambiarse según su preferencia personal. Para evitar que la unidad se tumbe y asegurar su estabilidad, no la opere cuando las tuercas mariposa de ajuste de tensión estén completamente flojas (vea las Instrucciones de ajuste de la tensión de reclinación).
- No trate de desarmar o hacer un servicio a la bomba o al motor. Estos no contienen piezas que se puedan reparar. Comuníquese con el distribuidor de La-Z-Boy® para.
- Controle que el cable eléctrico no quede retorcido entre las partes móviles o entre la estructura y el piso. No coloque el cable debajo de alfombras o en lugares donde pueda desgastarse.
- No coloque almohadas, mantas o cobertores entre el ocupante y la superficie del sillón cuando se active la función térmica.
- Siempre desenchufe el cable de energía antes de conectar o de desconectar la varilla de comando.
- Desenchufe inmediatamente el cable de energía si detecta olores extraños o humo provenientes del sillón.
- Podría sufrir quemaduras a causa del uso y cuidado incorrecto de las almohadillas térmicas internas. Para evitar el riesgo de quemaduras, no utilice alfileres, no permita que se moje el área de la almohadilla térmica y no retire la funda de tapizado.
- Para reducir el riesgo de choque eléctrico, este producto contiene un enchufe polarizado (una de las clavijas es más ancha que la otra). Este enchufe entra en un tomacorriente polarizado de una sola manera. Si el enchufe no encaja completamente dentro del tomacorriente, retírelo. Pruebe nuevamente. Si el enchufe sigue sin encajar, comuníquese con un electricista para instalar el tomacorriente que corresponda. No cambie el enchufe de ninguna manera.

Instrucciones de armado del sillón reclinable con función térmica y masaje La-Z-Touch® de 2 motores:

ADVERTENCIA - Riesgo de lesiones :

- No opere la unidad hasta que el respaldo esté instalado y fijo.

AVISO : No enchufe el transformador hasta que se le indique.

1. El transformador de corriente está asegurado con el swing del asiento. Corte cuidadosamente el amarre del cable y retire el transformador de energía.
2. Instale el respaldo.
 - Coloque el respaldo atravesado sobre los apoyabrazos del cuerpo (FIGURA 1).
 - Levante el respaldo a un pequeño ángulo y alinee las ménsulas del mismo con las ménsulas del cuerpo (FIGURA 2).
 - Baje el respaldo sobre el cuerpo, asegurándose de que las ménsulas se enganchen completamente.
 - Fije las ménsulas utilizando un destornillador para empujar hacia abajo la palancas de inmovilización (FIGURA 3).
3. Localice el transformador de energía.
 - El transformador de energía está asegurado al travesaño delantero de la base. Corte cuidadosamente el amarre del cable y separe el transformador de energía del travesaño. Quite el embalaje y desenrolle el cordón.
4. Localice los conectores del masaje.
 - Párese al lado del sillón y empuje el respaldo hacia atrás para reclinar el asiento y el respaldo.
 - Incline el sillón suavemente hacia adelante para que descance sobre lo apoyabrazos y la parte superior del respaldo, dejando al descubierto la parte inferior del sillón y los conectores.
5. Identifique las dos conexiones que hará.
 - Localice los tres alambres con conectores próximos al travesaño posterior del cuerpo, hacia el centro.
 - Los dos conectores rectangulares son para la varilla de comando (FIGURA 1).
 - El conector redondo es para el transformador de energía (FIGURA 1).
6. Conecte la varilla de comando.
 - Alinee los dos conectores rectangulares de la varilla de comando (alguna de las clavijas de conexión son cuadradas, otras redondas).
 - Acople los conectores presionando hasta que se traben.
7. Conecte el transformador de energía.
 - Enchufe el conector del transformador de energía en el conector ubicado en el panel central inferior del respaldo del sillón. Asegúrese de que lo conectores queden firmes y sin espacios entre sí.
8. Vuelva a colocar el sillón en posición vertical.
 - Sostenga el cordón del transformador de energía *lejos de la base* y suavemente incline el respaldo del sillón hasta que quede completamente en posición vertical y apoyado en su base. **Asegúrese de que el cordón del transformador de energía no esté pellizcado** entre la base y el piso. Vuelva a colocar el asiento y el respaldo en posición vertical.
9. Elija una ubicación para el sillón cerca de un tomacorriente y proceda a las Instrucciones de operación.

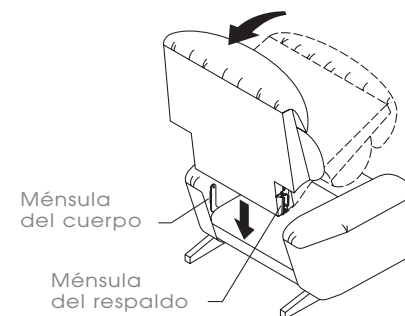
AVISO : Para evitar que se dañen los conectores y cordones, es importante **desconectar todas las conexiones antes de quitar el respaldo**. Para esta operación, siga los pasos anteriores, a la inversa.

Detalles de armado del sillón reclinable con función térmica y masaje La-Z-Touch® de 2 motores:

FIGURA 1

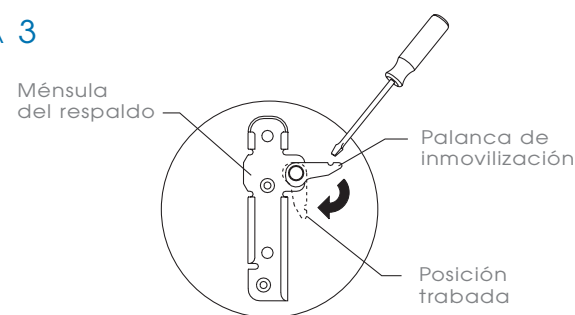


FIGURA 2



(La figura se muestra sin los conectores eléctricos)

FIGURA 3



Instrucciones de operación del sillón reclinable con función térmica y masaje La-Z-Touch® de 2 motores:

Antes de operar la unidad, revise las Instrucciones de seguridad importantes, al comienzo de este folleto.

Enchufe el transformador de energía. Asegúrese de que el cordón que va del sillón al tomacorriente esté lo suficientemente flojo como para permitir que el sillón se meza y se recline. Nunca tense ni someta un cordón a esfuerzo.

NOTA: Operación del temporizador automático

El sistema tiene un temporizador automático que detendrá las funciones de **MASAJE** y **TÉRMICA** después de aproximadamente 15 a 30 minutos de funcionamiento.

- Al presionar el botón **POWER** (encendido) o cualquier botón de zona, se reiniciará el masaje.
- Al presionar el botón **HEAT** (calor) se reiniciará la función térmica. Presiónelo una vez para seleccionar calor bajo, o dos veces para calor alto. Puede usarse en forma independiente o con la función de masajes.
- Cuando termine, asegúrese de presionar el botón **POWER** y el botón **HEAT** (si está activado) para apagar la unidad. Presione el botón **HEAT** dos veces si está en la posición de calor bajo.
- El temporizador también volverá a cero si desenchufa el transformador de energía o si se produce un corte de energía eléctrica.

AVISO : Las funciones de masaje y térmica pueden iniciarse automáticamente cuando se restablece la energía luego de un corte. El temporizador apagará automáticamente ambas funciones dentro de los siguientes 15 a 30 minutos. Esto no presenta ningún riesgo de lesiones o daños.

Solución de problemas para sillones con función térmica y masaje de 2 motores

No existen requisitos para el usuario en cuanto al mantenimiento ni a la reparación. Si la función de masajes o térmica no responde:

1. Asegúrese de que no se haya activado la Operación del temporizador automático. Presione el botón **POWER** para reiniciar el masaje. Presione el botón **HEAT** para reiniciar la función térmica.
2. Asegúrese de que el transformador de energía esté enchufado a un tomacorriente.
3. Cerciórese de que el tomacorriente funcione (que no haya fusibles quemados o que no se haya disparado un cortacircuitos).
4. Asegúrese de que todos los conectores estén firmes; remítase a las Instrucciones de armado.
5. Asegúrese de que los cordones eléctricos no estén retorcidos ni pellizcados y que ni éstos ni el enchufe estén dañados.

Si aún así el sistema de masaje no funciona correctamente, comuníquese con su distribuidor para obtener instrucciones sobre cómo devolver la unidad para su examen y reparación. A excepción del reemplazo del transformador de energía, *nunca intente realizar otras reparaciones o ajustes usted mismo.*

Reemplazo del transformador de energía

Si se debe reemplazar el transformador de energía:

1. Desenchufe el transformador de energía del tomacorriente.
2. Localice la conexión del transformador de energía; remítase a las Instrucciones de armado. Jale suavemente los conectores para desconectarlos.
3. Empuje el conector del transformador de energía de reemplazo en el conector complementario; remítase a las Instrucciones de armado. Asegúrese de que los conectores queden firmes y sin espacios entre sí.

Instrucciones de operación del sillón reclinable con función térmica y masaje La-Z-Touch® de 2 motores:

POWER (encendido)

Activa el sistema de masaje cuando el botón se retroilumina con un diodo luminoso. Presiónelo una vez para iniciar el temporizador de 15 minutos. Presiónelo y sosténgalo unos segundos para iniciar el temporizador de 30 minutos.

NOTA: Para reiniciar la unidad una vez apagado el temporizador, presione los botones **ZONE** o **PWR**.

ZONAS

Activa cualquiera de las zonas o todas. El diodo luminoso indica qué zona o zonas se han seleccionado.

INTENSITY (intensidad)

Aumenta (+) o disminuye (-) la intensidad en todos los modos.

HEAT (calor)

Activa la función térmica. Presiónelo una vez para seleccionar calor bajo, o dos veces para seleccionar calor alto. Puede usarse en forma independiente o con la función de masajes.

NOTA: La función térmica se desactivará en 30 minutos. Para reiniciarla, presione nuevamente el botón **HEAT**.

MODOS

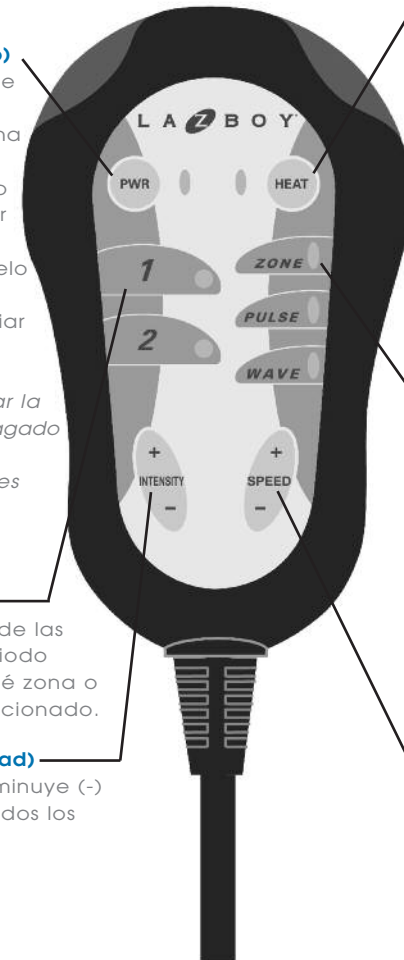
ZONE (zona) – Elija una o ambas zonas para el masaje.

PULSE (pulsación) – El masaje se activa y se desactiva para simular una acción de pulsación.

WAVE (ola) – El masaje se mueve de arriba a abajo o de lado a lado, según el modelo, en una acción tipo ola.

SPEED (velocidad)

Controla la frecuencia de pulsación del masaje en el modo **PULSE** (pulsación) y la velocidad de los ciclos en el modo **WAVE** (ola). Presione (+) para aumentar y (-) para disminuir.



ESPECIFICACIONES DEL TRANSFORMADOR DEL SILLÓN CON MASAJE LA-Z-TOUCH® DE 2 MOTORES:

Entrada: 120 V CA 60 Hz 30 W

Salida: 12 V CA 1,5 A

Instrucciones de armado del sillón reclinable con función térmica y masaje La-Z-Touch® de 6 motores:

ADVERTENCIA - Riesgo de lesiones :

- No opere la unidad hasta que el respaldo esté instalado y fijo.

AVISO : No enchufe el transformador hasta que se le indique.

1. El transformador de corriente está asegurado con el swing del asiento. Corte cuidadosamente el amarre del cable y retire el transformador de energía.
2. Instale el respaldo.
 - Coloque el respaldo atravesado sobre los apoyabrazos del cuerpo (FIGURA 1).
 - Levante el respaldo a un pequeño ángulo y alinee las ménsulas del mismo con las ménsulas del cuerpo (FIGURA 2).
 - Baje el respaldo sobre el cuerpo, asegurándose de que las ménsulas se enganchen completamente.
 - Fije las ménsulas utilizando un destornillador para empujar hacia abajo las palancas de inmovilización (FIGURA 3).
3. Localice el transformador de energía.
 - El transformador de energía está asegurado al travesaño delantero de la base. Corte cuidadosamente el amarre del cable y separe el transformador de energía del travesaño. Quite el embalaje y desenrolle el cordón.
4. Localice los conectores del masaje.
 - Párese al lado del sillón y empuje el respaldo hacia atrás para reclinar el asiento y el respaldo.
 - Incline el sillón suavemente hacia adelante para que descansa sobre lo apoyabrazos y la parte superior del respaldo, dejando al descubierto la parte inferior del sillón y los conectores.
5. Identifique las tres conexiones que hará.
 - Localice los cinco alambres con conectores. Cuatro alambres están ubicados al lado del travesaño posterior del cuerpo. El otro está ubicado al lado del panel lateral del cuerpo; si el sillón tiene un bolsillo de almacenamiento en el apoyabrazos, el alambre estará del lado izquierdo, y si el sillón tiene un compartimento de almacenamiento en el apoyabrazos, el alambre estará del lado derecho.
 - Los dos conectores cuadrados son para el motor vibrador (FIGURA 1).
 - El conector redondo más pequeño es para el transformador de energía (FIGURA 1).
 - Los dos conectores redondos más grandes con puntos blancos son para la varilla de comando (FIGURA 1).
6. Conecte los motores vibradores.
 - Alinee los dos conectores cuadrados del motor vibrador (algunas de las clavijas de conexión son cuadradas, otras redondas).
 - Acople los conectores presionando hasta que se traben.
7. Conecte la varilla de comando.
 - Alinee los puntos blancos de los conectores de la varilla de comando.
 - Acople los conectores hasta que queden firmes y sin espacios entre sí.
8. Conecte el transformador de energía.
 - Enchufe el conector del transformador de energía en el conector ubicado al lado del travesaño posterior del cuerpo, de modo que el cordón quede en la parte posterior del sillón, lejos de la parte inferior de la base y del mecanismo. Asegúrese de que los conectores queden firmes y sin espacios entre sí.
9. Vuelva a colocar el sillón en posición vertical.
 - Sostenga el cordón del transformador de energía lejos de la base y suavemente incline el respaldo del sillón hasta que quede completamente en posición vertical y apoyado en su base. **Asegúrese de que el cordón del transformador de energía no esté pellizcado** entre la base y el piso. Vuelva a colocar el asiento y el respaldo en posición vertical.
10. Elija una ubicación para el sillón cerca de un tomacorriente y proceda a las Instrucciones de operación.

AVISO : Para evitar que se dañen los conectores y cordones, es importante desconectar todas las conexiones antes de quitar el respaldo. Para esta operación, siga los pasos anteriores, a la inversa.

Detalles de armado del sillón reclinable con función térmica y masaje La-Z-Touch® de 6 motores:

FIGURA 1

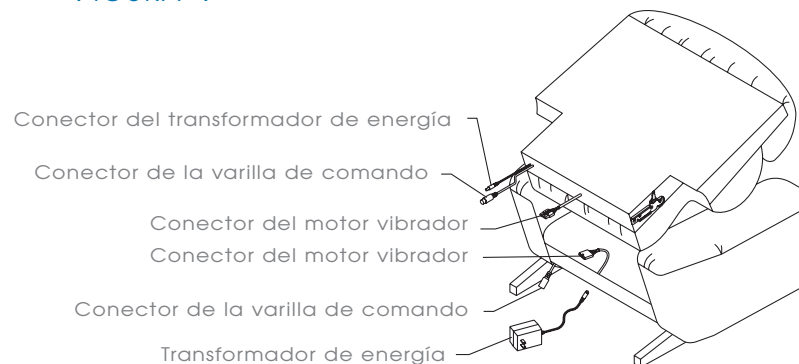


FIGURA 2

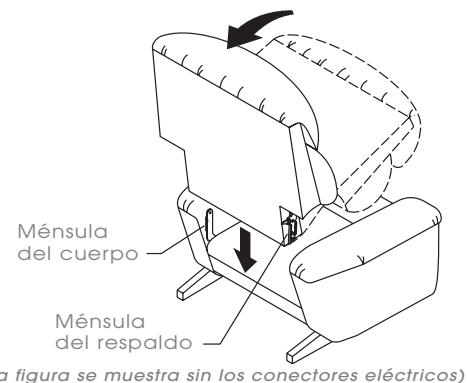
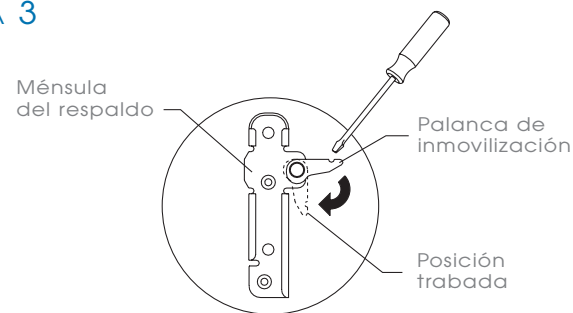


FIGURA 3



Instrucciones de armado del sillón reclinable La-Z-Touch® con función térmica y masaje de 6 motores

Antes de operar la unidad, revise las Instrucciones de seguridad importantes, al comienzo de este folleto.

Enchufe el transformador de energía. Asegúrese de que el cable extendido desde el sillón al tomacorriente esté lo suficientemente flojo, de modo que permita las funciones de oscilación y de reclinación. Nunca estire o tensione un cable.

NOTA: Operación del temporizador automático

El sistema tiene un temporizador automático que detendrá las funciones de **MASAJE** y **TÉRMICA** después de aproximadamente 15 a 30 minutos de funcionamiento.

- Al presionar el botón **POWER** (encendido) o cualquier botón de zona, se reiniciará el masaje.
- Al presionar los botones de calor **HI** (alto) o **LO** (bajo), se reiniciará la función térmica.
- Cuando termine, asegúrese de presionar el botón **POWER** y el botón de calor **HI** o **LO** (si están activados) para apagar el sistema.
- El temporizador también volverá a cero si desenchufa el transformador de energía o si se produce un corte de energía eléctrica.

AVISO: Las funciones de masaje y térmica pueden iniciarse automáticamente cuando se restablece la energía luego de un corte. El temporizador apagará automáticamente ambas funciones dentro de los siguientes 15 a 30 minutos. Esto no presenta ningún riesgo de lesiones o daños.

Solución de problemas para unidades con función térmica y masaje de 6 motores
No existen requisitos para el usuario en cuanto al mantenimiento ni a la reparación. Si la función de masajes o térmica no responde:

- Asegúrese de que no se haya activado la Operación del temporizador automático. Presione el botón **POWER** para reiniciar el masaje. Presione el botón de calor **HI** o **LO** para reiniciar la función térmica.
- Asegúrese de que el transformador de energía esté enchufado en un tomacorriente eléctrico.
- Cerciórese de que el tomacorriente funcione (que no haya fusibles quemados o que no se haya disparado un cortacircuitos).
- Asegúrese de que todos los conectores estén firmes; remítase a las Instrucciones de armado.
- Asegúrese de que los cordones eléctricos no estén retorcidos ni pellizcados y que ni éstos ni el enchufe estén dañados.

Si el sistema de masaje no funciona adecuadamente, comuníquese con su representante para que le dé instrucciones sobre cómo enviar la unidad para su inspección y reparación. Exceptuando el reemplazo del transformador de energía, nunca intente realizar reparaciones o ajustes usted mismo.

Reemplazo del transformador de energía

Si es necesario reemplazar el transformador de energía:

- Desenchufe el transformador de energía del tomacorriente eléctrico.
- Localice la conexión del transformador de energía; remítase a las Instrucciones de armado. Jale suavemente los conectores para desconectarlos.
- Empuje el conector del transformador de energía sustituto hacia el conector de acoplamiento; consulte las Instrucciones de armado. Asegúrese de que los conectores estén bien firmes, sin espacios entre sí.

Instrucciones de operación del sillón reclinable con función térmica y masaje La-Z-Touch® de 6 motores:

POWER (encendido)

Activa el sistema cuando el botón se retroilumina con un diodo luminoso. Presiónelo una vez para iniciar el temporizador de 15 minutos. Presiónelo y sosténgalo unos segundos para iniciar el temporizador de 30 minutos.

NOTA: Para reiniciar la unidad una vez apagado el temporizador, presione los botones **ZONE** o **PWR**.

ZONAS

Activa cualquiera de las zonas o todas. El diodo luminoso indica qué zona o zonas se han seleccionado.

- Parte superior de la espalda
- Parte inferior de la espalda
- Parte superior de los muslos

INTENSITY (intensidad)

Aumenta (+) o disminuye (-) la intensidad en todos los modos.

HEAT (calor)

Activa la función térmica. HI activa el ajuste de calor alto y LO, el de calor bajo. Puede usarse en forma independiente o con la función de masajes.

NOTA: Activa el temporizador de 30 minutos. Para reiniciarlo, presione el botón **HI** o **LO**.

MODOS

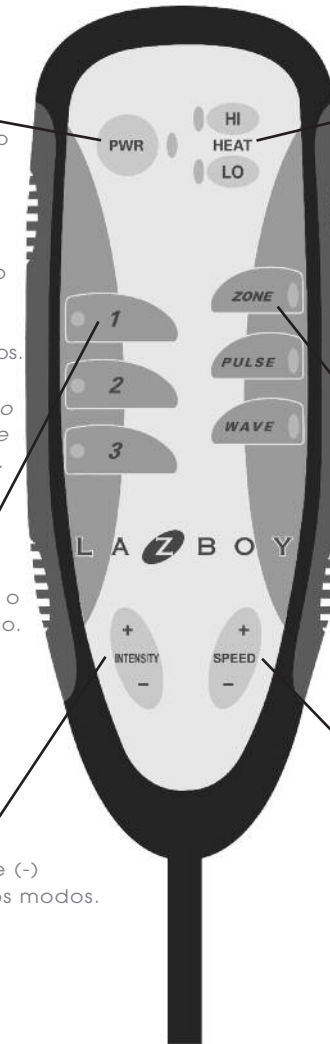
ZONE (zona) – Elija una o todas las zonas para el masaje.

PULSE (pulsación) – El masaje se activa y se desactiva para simular una acción de pulsación.

WAVE (ola) – El masaje se mueve hacia arriba y hacia abajo en una acción tipo ola.

SPEED (velocidad)

Controla la frecuencia de pulsación del masaje en el modo **PULSE** (pulsación) y la velocidad de los ciclos en el modo **WAVE** (ola). Presione (+) para aumentar y (-) para disminuir.



ESPECIFICACIONES DEL TRANSFORMADOR DEL SILLÓN O SOFÁ CON FUNCIÓN TÉRMICA Y MASAJE LA-Z-TOUCH® DE 6 MOTORES:

Entrada: 120 V CA 60 Hz 36 W

Salida: 12 V CA - 2000 mA

Instrucciones de armado del sillón reclinable con función térmica y masaje La-Z-Touch® de 10 motores:

ADVERTENCIA - Riesgo de lesiones :

- No opere la unidad hasta que el respaldo esté instalado y fijo.

AVISO : No enchufe el transformador hasta que se le indique.

1. El transformador de corriente está asegurado con el swing del asiento. Corte cuidadosamente el amarre del cable y retire el transformador de energía.
2. Instale el respaldo.
 - Coloque el respaldo atravesado sobre los apoyabrazos del cuerpo (FIGURA 1).
 - Levante el respaldo a un pequeño ángulo y alinee las ménsulas del mismo con las ménsulas del cuerpo (FIGURA 2).
 - Baje el respaldo sobre el cuerpo, asegurándose de que las ménsulas se enganchen completamente.
 - Fije las ménsulas utilizando un destornillador para empujar hacia abajo las palancas de inmovilización (FIGURA 3).
3. Localice el transformador de energía.
 - El transformador de energía está asegurado al travesaño delantero de la base. Corte cuidadosamente el amarre del cable y separe el transformador de energía del travesaño. Quite el embalaje y desenrolle el cordón.
4. Localice los conectores del masaje.
 - Párese al lado del sillón y empuje el respaldo hacia atrás para reclinar el asiento y el respaldo.
 - Incline el sillón suavemente hacia adelante para que descansa sobre los apoyabrazos y la parte superior del respaldo, dejando al descubierto la parte inferior del sillón y los conectores.
5. Identifique las tres conexiones que hará.
 - Localice los cinco alambres con conectores. Cuatro alambres están ubicados al lado del travesaño posterior del cuerpo. El otro está ubicado al lado del panel lateral del cuerpo; si el sillón tiene un compartimiento de almacenamiento en el apoyabrazos, el alambre estará del lado derecho, y si el sillón tiene un bolsillo de almacenamiento en el apoyabrazos, el alambre estará del lado izquierdo.
 - Los dos conectores cuadrados son para el motor vibrador (FIGURAS 1 y 4).
 - El conector redondo más pequeño es para la conexión del transformador de energía (FIGURAS 1 y 4).
 - Los dos conectores redondos más grandes con puntos blancos son para la varilla de comando (FIGURAS 1 y 4).
6. Conecte los motores vibradores.
 - Alinee los dos conectores cuadrados del motor vibrador (algunas de las clavijas de conexión son cuadradas, otras redondas).
 - Acople los conectores presionando hasta que se traben (FIGURA 5).
7. Conecte la varilla de comando.
 - Alinee los puntos blancos de los conectores de la varilla de comando.
 - Acople los conectores hasta que queden firmes y sin espacios entre sí (FIGURA 5).
8. Conecte el transformador de energía.
 - Enchufe el conector del transformador de energía en el conector ubicado al lado del travesaño posterior del cuerpo, de modo que el cordón quede en la parte posterior del sillón, lejos de la parte inferior de la base y del mecanismo. Asegúrese de que los conectores queden firmes y sin espacios entre sí (FIGURA 5).
9. Vuelva a colocar el sillón en posición vertical.
 - Sostenga el cordón del transformador de energía lejos de la base y suavemente incline el respaldo del sillón hasta que quede completamente en posición vertical y apoyado en su base. **Asegúrese de que el cordón del transformador de energía no esté pellizcado** entre la base y el piso. Vuelva a colocar el asiento y el respaldo en posición vertical.
10. Elija una ubicación para el sillón cerca de un tomacorriente y proceda a las Instrucciones de operación.

AVISO : Para evitar que se dañen los conectores y cordones, es importante desconectar todas las conexiones antes de quitar el respaldo. Para esta operación, siga los pasos anteriores, a la inversa.

Detalles de armado del sillón reclinable con función térmica y masaje La-Z-Touch® de 10 motores:

FIGURA 1

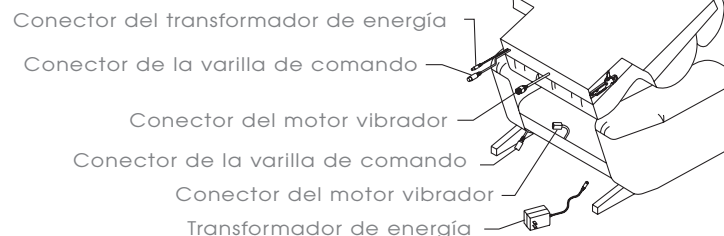


FIGURA 2

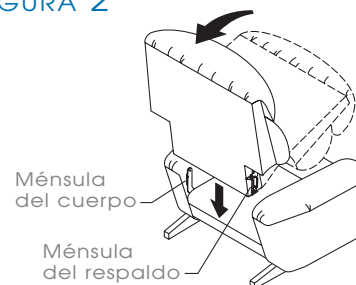
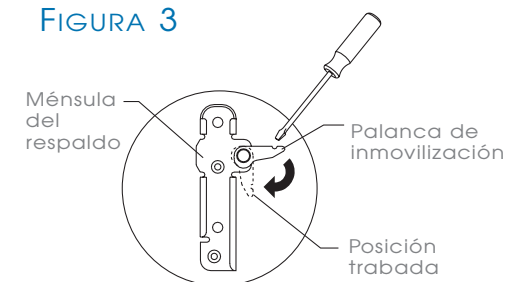


FIGURA 3



(La figura se muestra sin las conexiones eléctricas)

FIGURA 4

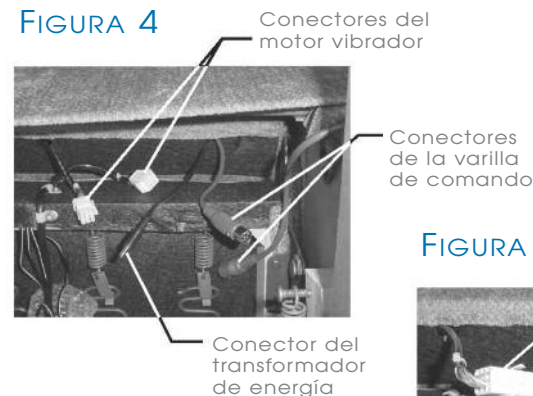
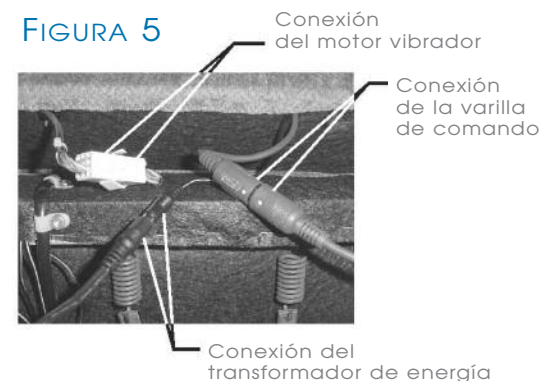


FIGURA 5



Instrucciones de operación del sillón reclinable con función térmica y masaje La-Z-Touch® de 10 motores:

Antes de operar la unidad, revise las Instrucciones de seguridad importantes, al comienzo de este folleto.

Enchufe el transformador de energía. Asegúrese de que el cordón que va del sillón al tomacorriente esté lo suficientemente flojo como para permitir que el sillón se meza y se recline. Nunca tense ni someta un cordón a esfuerzo.

Nota: Operación del temporizador automático

El sistema tiene un temporizador automático que detendrá las funciones de **MASAJE Y TÉRMICA** después de aproximadamente 15 a 30 minutos de funcionamiento.

- Al presionar el botón **POWER** (encendido) o cualquier botón de zona, se reiniciará el masaje.
- Al presionar el botón **HEAT** (calor) se reiniciará la función térmica. Presiónelo una vez para seleccionar calor bajo, o dos veces para seleccionar calor alto. Puede usarse en forma independiente o con la función de masajes.
- Cuando termine, asegúrese de presionar el botón **POWER** y el botón **HEAT** (si está activado) para apagar la unidad. Presione el botón **HEAT** dos veces si está en la posición de calor bajo.
- El temporizador también volverá a cero si desenchufa el transformador de energía o si se produce un corte de energía eléctrica.

AVISO: Las funciones de masaje y térmica pueden iniciarse automáticamente cuando se restablece la energía luego de un corte. El temporizador apagará automáticamente ambas funciones dentro de los siguientes 15 a 30 minutos. Esto no presenta ningún riesgo de lesiones o daños.

Solución de problemas para sillones con función térmica y masaje de 10 motores

No existen requisitos para el usuario en cuanto al mantenimiento ni a la reparación. Si la función de masajes o térmica no responde:

- Asegúrese de que no se haya activado la Operación del temporizador automático. Presione el botón **POWER** para reiniciar el masaje. Presione el botón **HEAT** para reiniciar la función térmica.
- Asegúrese de que el transformador de energía esté enchufado a un tomacorriente.
- Cerciórese de que el tomacorriente funcione (que no haya fusibles quemados o que no se haya disparado un cortacircuitos).
- Asegúrese de que todos los conectores estén firmes; remítase a las Instrucciones de armado.
- Asegúrese de que los cordones eléctricos no estén retorcidos ni pellizcados y que ni éstos ni el enchufe estén dañados. Si aún así el sistema de masaje no funciona correctamente, comuníquese con su distribuidor para obtener instrucciones sobre cómo devolver la unidad para su examen y reparación. A excepción del reemplazo del transformador de energía, nunca intente realizar otras reparaciones o ajustes usted mismo.

Reemplazo del transformador de energía

Si se debe reemplazar el transformador de energía:

- Desenchufe el transformador de energía del tomacorriente.
- Localice la conexión del transformador de energía; remítase a las Instrucciones de armado. Jale suavemente los conectores para desconectarlos.
- Empuje el conector del transformador de energía de reemplazo en el conector complementario; remítase a las Instrucciones de armado. Asegúrese de que los conectores queden firmes y sin espacios entre sí.

Instrucciones de operación del sillón reclinable con función térmica y masaje La-Z-Touch® de 10 motores:

POWER (encendido)

Activa el sistema cuando el botón se retroilumina con un diodo luminoso. Presiónelo una vez para iniciar el temporizador de 15 minutos. Presiónelo y sosténgalo unos segundos para iniciar el temporizador de 30 minutos.

NOTA: Para reiniciar la unidad una vez apagado el temporizador, presione los botones **ZONE** o **PWR**.

ZONAS

Activa cualquiera de las zonas o todas. El diodo luminoso indica qué zona o zonas se han seleccionado.

- Parte superior de la espalda
- Parte inferior de la espalda
- Región de las caderas
- Parte superior de los muslos
- Parte inferior de los muslos

MODO PULSE (pulsación)

Activa 3 configuraciones de pulsación: pulse, tap y alt (pulsación, percusión y alternado, respectivamente) en las zonas activas.

INTENSITY (intensidad)

Aumenta (+) o disminuye (-) la intensidad en todos los modos.

SWELL (oleada)

Aumenta o disminuye la intensidad de los ciclos en todos los modos. Use **FAST** (rápido) y **SLOW** (lento) para ajustar la velocidad de la intensidad.

HEAT (calor)

Activa la función térmica. Presiónelo una vez para seleccionar calor bajo, o dos veces para seleccionar calor alto. Puede usarse en forma independiente o con la función de masajes.

NOTA: La función térmica se desactivará en 30 minutos. Para reiniciarla, presione nuevamente el botón **HEAT**.

MODO WAVE (ola)

Activa 3 configuraciones tipo ola (1-5-1, 1-5 ó 5-1) en las zonas activas.

MODO CIRCLE (círculo)

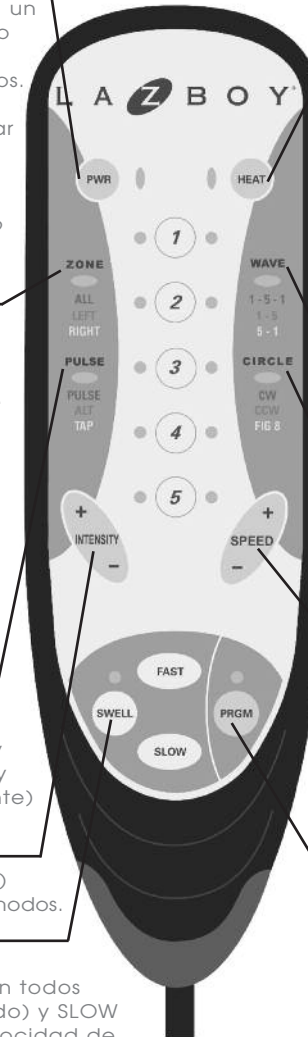
Activa un patrón en sentido horario (CW), contrahorario (CCW) o en forma de 8 (FIG 8) en las zonas activas.

SPEED (velocidad)

Controla la frecuencia de pulsación del masaje en el modo **PULSE** (pulsación) y la velocidad de los ciclos en el modo **WAVE** (ola). Presione (+) para aumentar y (-) para disminuir.

PROGRAM (programar)

Permite programar los niveles de intensidad en cada zona. **Vea las Instrucciones de programación.**



ESPECIFICACIONES DEL TRANSFORMADOR DEL SILLÓN CON FUNCIÓN TÉRMICA Y MASAJE LA-Z-TOUCH® DE 10 MOTORES:

Entrada: 120 V CA 60 Hz 36 W
Salida: 12 V CA - 2000 mA

Instrucciones de programación del sillón reclinable con función térmica y masaje La-Z-Touch® de 10 motores:

La función programar permite programar los niveles de intensidad de los motores vibradores de masaje en cada zona.

Para usar la función programar

1. Presione **PRGM** (programar) para activar la función (la luz comenzará a parpadear).
2. Presione **ZONE 1**, Parte superior de la espalda, y establezca el nivel de intensidad deseado.
 - Presione + INTENSITY para aumentar el nivel de intensidad.
 - Presione - INTENSITY para disminuir el nivel de intensidad.
3. Presione **ZONE 2**, Parte inferior de la espalda, y establezca el nivel de intensidad deseado.
4. Presione **ZONE 3**, Región de las caderas, y establezca el nivel de intensidad deseado.
5. Presione **ZONE 4**, Parte superior de los muslos, y establezca el nivel de intensidad deseado.
6. Presione **ZONE 5**, Parte inferior de los muslos, y establezca el nivel de intensidad deseado.
7. Presione **PRGM** para utilizar el programa de intensidad configurado que acaba de seleccionar. Éste puede usarse con cualquier zona seleccionada y en cualquier modo – PULSE, WAVE y CIRCLE (pulsación, ola y círculo, respectivamente). (Ahora la luz quedará fija.)
8. Presione **PRGM** de nuevo para desactivar el modo de programa de intensidad establecido y volver a las configuraciones programadas en la fábrica (la luz se apagará).

Su programa permanecerá en la memoria hasta que establezca uno nuevo. Para activar de nuevo el programa establecido

1. Presione **PRGM** (programar) para activar la función (la luz comenzará a parpadear).
2. Presione **PRGM** de nuevo para usar la última configuración programada (la luz ahora quedará fija).
3. Presione **PRGM** de nuevo para desactivar la función y volver a las configuraciones programadas en la fábrica (la luz se apagará).

NOTA: El programa puede restablecerse a las configuraciones programadas en la fábrica si ocurre una interrupción en el suministro eléctrico, tal como un corte de energía. En tal caso, deberá volver a configurar el programa con los valores deseados.

Instrucciones de ajuste de la tensión de reclinación:

Personalice la acción reclinable de su sillón Reclina-Rocker® o Reclina-Way®.

⚠ ADVERTENCIA – Riesgo de lesiones.

- Esta unidad está equipada con una función de ajuste de tensión para el mecanismo reclinable, la cual viene preajustada de fábrica pero puede cambiarse según su preferencia personal. Para evitar que la unidad se tumbe y asegurar su estabilidad, no la opere cuando las tuercas mariposa de ajuste de tensión estén completamente flojas (vea las Instrucciones de ajuste).

⚠ PRECAUCIÓN – Riesgo de daños.

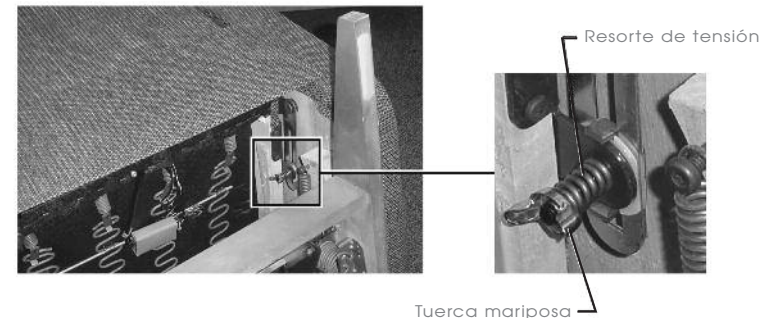
- Asegúrese de que el apoyapiernas de cada unidad esté cerrado antes de inclinarlas hacia adelante para ajustar la tensión.
- No apriete completamente las tuercas mariposa, ya que esto produciría daños. Los resortes de tensión no deben comprimirse completamente después de realizar ajustes. Si esto ocurriera, las tuercas mariposa deben aflojarse girándolas en sentido contrahorario un mínimo de 1/2 vuelta para evitar que se dañe el mecanismo de tensión a resorte.
- No afloje completamente las tuercas mariposa. El resorte no debe deslizarse sobre el perno después de hacer los ajustes. Si esto ocurriera, apriete la tuerca mariposa girándola en sentido horario un mínimo de 1/2 vuelta una vez que el resorte ya no se deslice sobre el perno.
- Ajuste ambas tuercas mariposa por igual.

Instrucciones de ajuste de la tensión de reclinación

Puede ajustar la tensión del mecanismo reclinable para que éste se adapte al tamaño de su cuerpo.

1. Incline suavemente el sillón reclinable hacia adelante para apoyarlo sobre los apoyabrazos y la parte trasera superior. Ubique las tuercas mariposa, una en cada lado, hacia la parte trasera del sillón reclinable, debajo del asiento reclinable (FIGURA 1; sólo se muestra un lado).
2. Ajuste la tensión girando las tuercas mariposa en aumentos de 1/4 de vuelta hasta alcanzar el ajuste deseado.
 - Una persona más alta o más pesada puede elegir aumentar la tensión de reclinación apretando las tuercas mariposa en sentido horario.
 - Una persona de contextura más pequeña puede elegir disminuir la tensión de reclinación aflojando las tuercas mariposa en sentido contrahorario.
3. Enderece nuevamente el sillón reclinable. Verifique el nuevo ajuste. Realice los ajustes necesarios siguiendo estos pasos.

FIGURA 1



Instrucciones de operación del apoyapiernas de 3 posiciones:

Sillón Reclina-Rocker® o Reclina-Way®.

⚠️ ADVERTENCIA - Riesgo de lesiones.

- Deje un espacio libre para el funcionamiento del respaldo y el apoyapiernas del sillón. Coloque las mesas y alfombras sueltas a distancia para poder extender completamente el apoyapiernas sin roces ni interferencias.
- Para salir de la unidad sin problemas y evitar el riesgo de tropezos, enderece el respaldo y cierre el apoyapiernas.

⚠️ PRECAUCIÓN - Riesgo de daños.

- Si se fuerza el cierre del apoyapiernas desde la 1ra o 2da posición, el mecanismo puede dañarse. El apoyapiernas debe extenderse a la 3ra posición y luego cerrarse.

Para operar el apoyapiernas

1. Su sillón reclinable La-Z-Boy® está equipado con un apoyapiernas que puede fijarse en tres posiciones diferentes para brindar máxima comodidad. Simplemente jale de la manija, rotándola en sentido antihorario para controlar el apoyapiernas (FIGURA 1). Puede detenerlo en la posición que más le agrade de las tres. La 1ra posición permite una leve inclinación para leer en forma relajada (FIGURA 2). La 2da posición es un poco más inclinada, para ver televisión cómodamente (FIGURA 3). La 3ra posición se extiende completamente para lograr una relajación total (FIGURA 4). Para bajar el apoyapiernas, gire la manija en sentido antihorario hasta la posición completamente extendida y luego, gírela en sentido horario hasta la posición completamente cerrada.
2. Reclinar el respaldo del sillón es una acción independiente de la operación del apoyapiernas. El respaldo del sillón se puede reclinar con el apoyapiernas cerrado o extendido. Para reclinarlo, empuje el respaldo. Siéntese derecho si desea que el respaldo se enderece nuevamente.
3. Antes de salir de la unidad, mueva el respaldo a la posición vertical y cierre el apoyapiernas.

Característica adicional en ciertos modelos

El cuerpo del sillón puede inclinarse hacia atrás cuando el apoyapiernas está en uso. Si pasa el peso de su cuerpo hacia atrás, el cuerpo del sillón se inclinará hacia atrás, ofreciéndole una variedad de posiciones diferentes.

FIGURA 1

POSICIÓN CERRADA



FIGURA 2

1ra POSICIÓN



FIGURA 3

2da POSICIÓN



FIGURA 4

3ra POSICIÓN



Guía para la ubicación del mobiliario:

⚠️ ADVERTENCIA - Riesgo de lesiones.

- Deje un espacio libre para el funcionamiento del respaldo y el apoyapiernas del sillón. Coloque las mesas y alfombras sueltas a distancia para poder extender completamente el apoyapiernas sin roces ni interferencias.

Ubicación del mobiliario

Para colocar la unidad reclinable a una distancia adecuada de la pared, reclínela completamente dejando un mínimo de 5 cm (2") de espacio entre la parte superior del respaldo y la pared (FIGURA 1).

Asegúrese de que las mesas y demás elementos estén a una distancia segura para evitar interferencias con el funcionamiento del apoyapiernas. La ubicación inadecuada de una mesa podría hacer que el ocupante del sillón quede atrapado en éste (FIGURA 2). Debe haber suficiente espacio libre para poder extender completamente el apoyapiernas antes de cerrarlo.

FIGURA 1



FIGURA 2



Félicitations!

Vous êtes désormais propriétaire
d'un fauteuil inclinable masseur
de pointe La-Z-Touch^{MD} signé La-Z-Boy^{MD}.

Vous venez d'acheter un des meubles
rembourrés les plus perfectionnés
de l'industrie du meuble en Amérique du
Nord, fruit de plus de 75 ans d'expérience
dans la fabrication de meubles de qualité.

La-Z-Boy^{MD} est fière de sa gamme de
produits et de son savoir-faire. Nous savons
que vous ressentirez la même fierté quand
vous profiterez du confort et de l'allure
de votre nouveau mobilier.

IMPORTANT

Bien lire les instructions avant d'utiliser votre fauteuil
inclinable masseur LaZTouch^{MD}. À conserver pour
usage ultérieur.

Table des matières

Règles de sécurité importantes.....	44-45
Fauteuil inclinable massage chaleur 2 moteurs La-Z-Touch ^{MD} Montage.....	46-47
Fauteuil inclinable massage chaleur 2 moteurs La-Z-Touch ^{MD} Fonctionnement.....	48-49
Fauteuil inclinable massage chaleur 6 moteurs La-Z-Touch ^{MD} Montage	50-51
Fauteuil inclinable massage chaleur 6 moteurs La-Z-Touch ^{MD} Fonctionnement.....	52-53
Fauteuil inclinable massage chaleur 10 moteurs La-Z-Touch ^{MD} Montage.....	54-55
Fauteuil inclinable massage chaleur 10 moteurs La-Z-Touch ^{MD} Fonctionnement.....	56-57
Fauteuil inclinable massage chaleur 10 moteurs La-Z-Touch ^{MD} Programmation.....	58
Réglage de la tension d'inclinaison.....	59
Fonctionnement du repose-jambes à 3 réglages.....	60
Comment disposer vos meubles.....	61

Règles de sécurité importantes

Important : bien lire les instructions avant l'utilisation.

DANGER - Pour réduire les risques de choc électrique ou de blessures graves :

- Toujours débrancher la prise du mur avant de nettoyer, déplacer ou entretenir ce meuble, ou quand il n'est pas utilisé pour une longue période.
- Ne pas utiliser ce meuble s'il est mouillé, dans l'eau ou près de l'eau ou de tout autre liquide.
- Pour prévenir la suffocation, garder les sacs de plastique loin des enfants.
- Brancher directement dans une prise de courant au mur. Ne pas utiliser de rallonge, d'adaptateur ou de limiteur de surtension.

ATTENTION - Pour réduire les risques de brûlure, d'incendie, de choc électrique ou de blessures :

- Garder vos meubles rembourrés loin des flammes ou des cigarettes allumées. Ils peuvent brûler rapidement en présence de gaz toxique et de fumée épaisse.
- Une supervision étroite est nécessaire quand ce produit est utilisé par des enfants ou des personnes handicapées.
- Vous asseoir lentement sur le meuble. Pour éviter qu'il bascule, ne pas lancer votre poids contre le dossier. Y aller lentement quand vous vous inclinez ou remettez en position verticale, et vous assurer qu'il n'y a pas d'enfant ou d'animal de compagnie à proximité.
- Ce produit compte plusieurs pièces mobiles et peut causer des blessures graves s'il n'est pas utilisé correctement. Garder les mains, les doigts et toute autre partie du corps loin du mécanisme. Pour réduire le risque de coincer la tête et autres blessures, garder les enfants et les animaux de compagnie loin des ouvertures et des pièces mobiles dans le mobilier et autour de celui-ci.
- Seul l'occupant doit faire fonctionner le meuble. Ne jamais tenter d'ouvrir le repose-pieds en tirant dessus.
- Ne jamais se tenir debout, s'asseoir ou mettre un poids excessif sur les bras, le dossier ou le repose-pieds ouvert.
- Pour sortir du meuble en toute sécurité et pour éviter de trébucher, remettre le dossier à la verticale et refermer le repose-jambes.
- Ne pas utiliser ce produit s'il est endommagé. Ne pas utiliser d'accessoires ou d'éléments substitués.
- Ce produit est exclusivement réservé à un usage résidentiel intérieur.
- Prévoir un parcours sans obstructions pour faire fonctionner le fauteuil, le dossier et le repose-pieds. Placer les tables et les tapis assez loin pour que le repose-pieds puisse s'ouvrir complètement sans frottement ni obstruction.
- Vérifier tous les mois l'état des transformateurs, cordons d'alimentation, fiches et connecteurs. Garder les transformateurs et cordons d'alimentation loin des sources de chaleur. Ne jamais faire fonctionner le meuble si le transformateur, le cordon d'alimentation, la fiche ou le connecteur sont endommagés.
- Ne pas utiliser le meuble si la commande électrique est endommagée ou mouillée. Ne pas utiliser le meuble si la commande manuelle est tombée dans l'eau ou dans tout autre liquide. Communiquer avec votre détaillant La-Z-Boy^{MD} pour le service.
- Ce produit n'est pas conçu pour servir de dispositif de santé.
- Les personnes qui utilisent des dispositifs médicaux doivent communiquer avec leur fournisseur de soins de santé avant d'utiliser ce produit. Ne pas utiliser ce produit si vous avez une mauvaise circulation, si vous êtes immobile ou si vous ne pouvez ressentir la chaleur, sauf sur les conseils de votre professionnel de la santé.
- Ne pas utiliser ce produit dans des endroits où l'on utilise des produits en aérosol ou si l'on administre de l'oxygène.
- Ne pas faire fonctionner le meuble avant d'avoir installé et bloqué le dossier.

Conserver ces instructions

Règles de sécurité importantes

Important : bien lire les instructions avant l'utilisation.

- Avant de déplacer le produit, débrancher la fiche électrique de la prise de courant et bloquer le mécanisme pour ne pas qu'il s'ouvre ou bouge soudainement. Ne jamais déplacer le produit par le mécanisme, le repose-jambes, la poignée, le dossier inclinable ou la base pivotante.
- Ce meuble est doté d'un réglage de tension pour le mécanisme d'inclinaison, préréglé en usine. Vous pouvez personnaliser ce réglage. Pour éviter de faire basculer le meuble et pour en assurer la stabilité, ne jamais faire fonctionner le meuble quand l'écrou à ailettes qui règle la tension est complètement desserré (voir les instructions touchant le réglage de la tension).
- Ne jamais tenter de démonter la pompe ou le moteur ou d'en faire l'entretien. Ces éléments ne contiennent aucune pièce à entretenir. Votre détaillant La-Z-Boy^{MD} vous renseignera au sujet du service.
- Ne pas laisser le cordon d'alimentation se coincer entre les pièces mobiles ou entre la charpente et le plancher. Ne pas le faire passer sous une carpe ou dans un endroit où il pourrait s'user.
- Ne pas mettre de coussin, de couverture ou autre revêtement entre l'occupant et le fauteuil quand la chaleur est activée.
- Toujours débrancher le cordon d'alimentation avant de connecter ou déconnecter la commande manuelle.
- Débrancher le cordon d'alimentation immédiatement si des odeurs ou vapeurs étranges émanent du fauteuil.
- Une mauvaise utilisation ou un entretien inadéquat des coussins chauffants peut causer des brûlures. Pour les éviter, ne pas utiliser d'épingles, ne jamais laisser l'emplacement du coussin chauffant se mouiller et ne pas retirer le revêtement de rembourrage.
- Pour réduire le risque de choc électrique, ce produit est muni d'une fiche polarisée dont une broche est plus large que l'autre. Cette fiche s'insère d'une seule façon dans une prise polarisée. Si la fiche ne s'insère pas complètement dans la prise, inversez-la. Si elle ne s'insère toujours pas, communiquer avec un électricien qualifié pour faire installer la prise appropriée. Ne jamais modifier la fiche.

Conserver ces instructions

Montage du fauteuil inclinable massage 2 moteurs et chaleur La-Z-Touch^{MD}

AVERTISSEMENT - Risque de blessures :

- Attendre que le dossier soit installé et bloqué avant de faire fonctionner le meuble.

AVIS : Attendre les instructions avant de brancher le transformateur.

1. Le transformateur électrique est fixé à l'élément berceur du siège. Couper le câble d'attache avec soin et mettre le transformateur électrique de côté.
2. Installer le dossier du fauteuil.
 - Déposer le dossier du fauteuil sur les bras (FIGURE 1).
 - Soulever légèrement le dossier et aligner les fixations du dossier avec les fixations de la base du fauteuil (FIGURE 2).
 - Replacer le dossier sur la base; s'assurer que les fixations du dossier et de la base sont entièrement engagées.
 - Bloquer les fixations à l'aide d'un tournevis en poussant les leviers de blocage vers le bas (FIGURE 3).
3. Repérer le transformateur électrique.
 - Le transformateur électrique est fixé à la traverse avant. Couper avec soin l'attache du fil et retirer le transformateur électrique de la traverse. Retirer l'emballage et dérouler le cordon.
4. Repérer les connecteurs pour le massage.
 - Debout à côté du fauteuil, pousser le dossier vers l'arrière pour incliner le siège et le dossier.
 - Faire basculer doucement le fauteuil vers l'avant pour qu'il repose sur les bras et le haut du dossier, laissant ainsi voir le dessous du fauteuil et les connecteurs.
5. Identifier les deux connexions à faire.
 - Repérer les trois fils avec connecteurs près du centre de la traverse arrière du meuble.
 - Les deux connecteurs rectangulaires servent à connecter le panneau de commande (FIGURE 1).
 - Le connecteur rond sert à connecter le transformateur électrique (FIGURE 1).
6. Connecter le panneau de commande.
 - Aligner les deux connecteurs rectangulaires du panneau de commande (certaines broches des connecteurs sont carrées et d'autres, rondes).
 - Enfoncer les connecteurs ensemble jusqu'à ce qu'ils bloquent.
7. Connecter le transformateur électrique.
 - Enfoncer le connecteur du transformateur électrique dans le connecteur qui se trouve au milieu du panneau inférieur du dossier. S'assurer qu'il n'y a aucun jour entre eux.
8. Remettre le fauteuil en position verticale.
 - Tenir le cordon du transformateur électrique *loin de la base* et pousser doucement le dossier jusqu'à ce qu'il soit complètement vertical et bien installé sur sa base.
S'assurer que le cordon du transformateur électrique n'est pas coincé entre la base et le sol. Remettre le siège et le dossier en position verticale.
9. Choisir pour le fauteuil un emplacement près d'une prise de courant et passer aux instructions sur le fonctionnement.

AVIS : Pour prévenir les dommages aux connecteurs et aux fils, il est important de déconnecter toutes les connexions avant de retirer le dossier. Le fauteuil doit être penché vers l'avant pour atteindre les connecteurs. Toujours renverser les étapes ci-dessus pour retirer le dossier.

Montage du fauteuil inclinable massage 2 moteurs et chaleur La-Z-Touch^{MD}

FIGURE 1

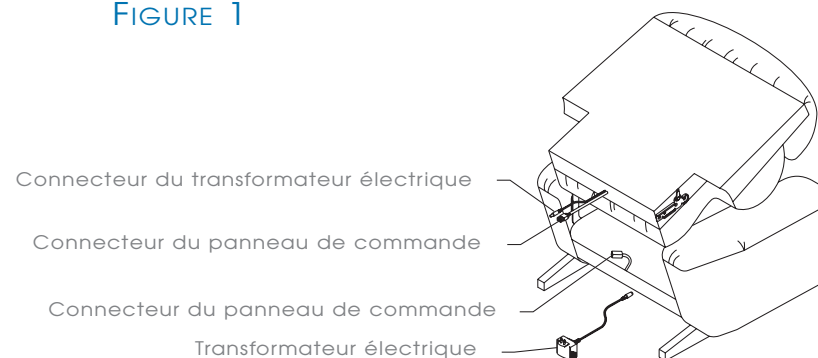


FIGURE 2

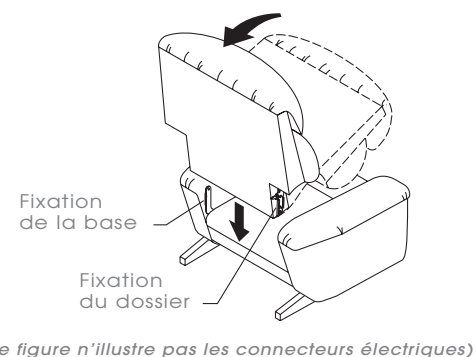
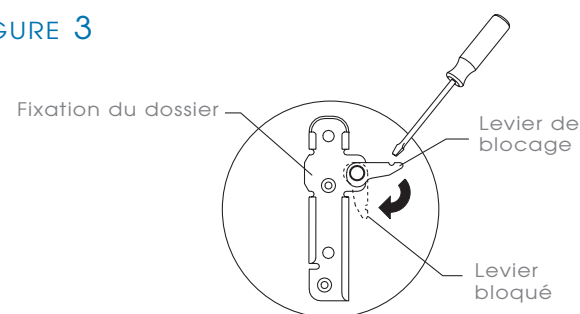


FIGURE 3



Fonctionnement du fauteuil inclinable massage 2 moteurs et chaleur La-Z-Touch^{MD}

Revoir les règles de sécurité importantes au début de cette brochure avant l'utilisation.

Connecter le transformateur électrique. S'assurer qu'il y a assez de jeu dans le cordon entre le fauteuil et la prise pour permettre le bercement et l'inclinaison. Ne jamais étirer ou forcer un cordon.

REMARQUE : Minuterie automatique

Le système de massage chaleur est doté d'une minuterie automatique qui éteint les fonctions **MASSAGE** et **HEAT** après environ 15 ou 30 minutes de fonctionnement.

- Appuyer sur **POWER** ou tout bouton de zone fait redémarrer le massage.
- Appuyer sur le bouton chaleur **HEAT** fait redémarrer la chaleur. Appuyer une fois pour une chaleur de faible intensité et deux fois pour une chaleur intense.
- Quand vous avez terminé, assurez-vous d'appuyer sur **POWER** et sur **HEAT** (si ce dernier bouton est activé) pour éteindre le système. Appuyer deux fois sur **HEAT** si vous êtes en mode chaleur de faible intensité.
- La minuterie se remet à zéro si vous débranchez le transformateur électrique ou s'il y a une panne de courant.

AVIS : Les fonctions massage et chaleur peuvent démarrer automatiquement quand le courant est rétabli après une panne. La minuterie doit automatiquement éteindre le massage et la chaleur en 15 ou 30 minutes. Il ne devrait y avoir aucun risque de blessures ou de dommages si cela se produit.

Dépannage pour les fauteuils La-Z-Touch^{MD} avec massage chaleur 2 moteurs

Il n'y a aucune exigence d'entretien ou de réparations pour le propriétaire. Si le massage ou la chaleur ne fonctionne pas :

1. Vous assurer que la minuterie automatique n'est pas activée. Appuyer sur **POWER** pour redémarrer le massage. Appuyer sur **HEAT** pour redémarrer la chaleur.
2. Vous assurer que le transformateur électrique est branché dans une prise de courant.
3. Vous assurer que la prise de courant fonctionne. Par exemple, vérifier qu'aucun fusible n'a sauté ou qu'aucun disjoncteur n'a déclenché.
4. Vous assurer que tous les connecteurs sont bien connectés; voir les instructions pour le montage.
5. Vous assurer que les cordons d'alimentation ne sont ni tordus ni coincés et que le cordon d'alimentation et la prise ne sont pas endommagés.
Si le système de massage ne fonctionne toujours pas correctement, communiquer avec votre détaillant qui vous expliquera comment le retourner pour examen et réparation. Ne jamais effectuer de réparations ou de réglages vous-même, sauf pour changer le transformateur électrique.

Remplacement du transformateur électrique

S'il faut remplacer le transformateur électrique :

1. Débrancher le transformateur électrique de la prise de courant.
2. Repérer la connexion du transformateur électrique; voir les instructions pour le montage. Tirer doucement sur les connecteurs pour les séparer.
3. Engager le connecteur du transformateur électrique de rechange dans le connecteur correspondant; voir les instructions pour le montage. Enfoncer les connecteurs ensemble jusqu'à ce qu'il n'y ait aucun jeu entre eux.

Fonctionnement du fauteuil inclinable massage 2 moteurs et chaleur La-Z-Touch^{MD}

POWER

Active le système quand le voyant lumineux est rétro-éclairé en DEL. Appuyer une fois pour la minuterie de 15 minutes ou appuyer et tenir enfoncé pour la minuterie de 30 minutes.

REMARQUE : Pour redémarrer le système après l'arrêt de la minuterie, appuyer soit sur **ZONE**, soit sur **PWR**.

ZONES

Active une ou toutes les zones. Le voyant DEL indique la ou les zones choisies.

INTENSITY

Augmente (+) ou diminue (-) l'intensité dans tous les modes.

HEAT

Active la chaleur. Appuyer une fois pour faible et deux fois pour intense. Peut fonctionner seul ou en même temps que le massage.

REMARQUE : La chaleur se désactive après 30 minutes. Pour redémarrer, appuyer de nouveau sur **HEAT**.

MODES

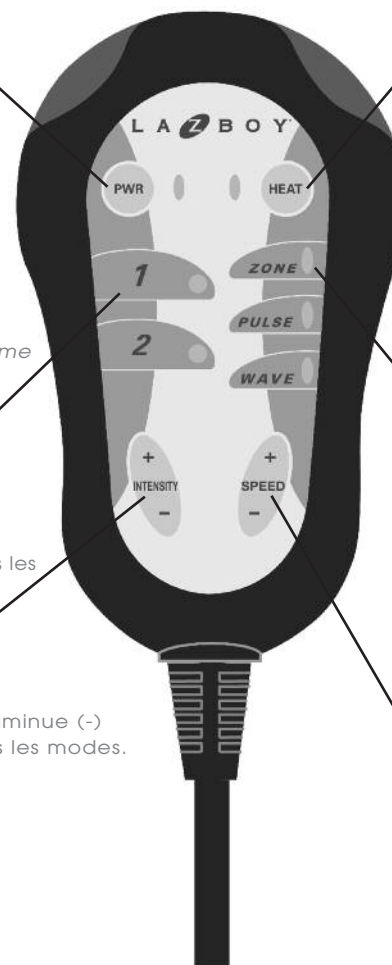
ZONE - Vous permet de choisir une ou deux zones de massage.

PULSE - Le massage se met en marche et s'arrête pour simuler une pulsation.

WAVE - Le massage se déplace de haut en bas ou de gauche à droite, selon le modèle, comme une vague.

SPEED

Commande la fréquence du massage dans le mode **PULSE** et la vitesse pendant le mode **WAVE**. Appuyer sur (+) pour augmenter ou sur (-) pour diminuer.



CARACTÉRISTIQUES DU TRANSFORMATEUR DU MASSAGE 2 MOTEURS LA-Z-TOUCH^{MD}

Entrée : C.A. 120 V 60 Hz 30 W

Sortie : C.A. 12 V 1.5 A

Montage du fauteuil inclinable massage 6 moteurs et chaleur La-Z-Touch^{MD}

AVERTISSEMENT - Risque de blessures :

- Attendre que le dossier soit installé et bloqué avant de faire fonctionner le meuble.

AVIS : Attendre les instructions avant de brancher le transformateur.

1. Le transformateur électrique est fixé à l'élément berceur du siège. Couper le câble d'attache avec soin et mettre le transformateur électrique de côté.
2. Installer le dossier.
 - Déposer le dossier du fauteuil sur les bras (FIGURE 1).
 - Soulever légèrement le dossier et aligner les fixations du dossier avec les fixations de la base du fauteuil (FIGURE 2).
 - Replacer le dossier sur la base; s'assurer que les fixations du dossier et de la base sont entièrement engagées.
 - Bloquer les fixations à l'aide d'un tournevis en poussant les leviers de blocage vers le bas (FIGURE 3).
3. Repérer le transformateur électrique.
 - Le transformateur électrique est fixé à la traverse de base avant. Couper avec soin l'attache du fil et retirer le transformateur électrique de la traverse. Retirer l'emballage et dérouler le cordon.
4. Repérer les connecteurs pour le massage.
 - Debout à côté du fauteuil, pousser le dossier vers l'arrière pour incliner le siège et le dossier.
 - Faire basculer doucement le fauteuil vers l'avant pour qu'il repose sur les bras et le haut du dossier, laissant ainsi voir le dessous du fauteuil et les connecteurs.
5. Identifier les trois connexions à faire.
 - Repérer les cinq fils avec connecteurs. Il y a quatre fils près de la traverse arrière. Il y a un fil près du panneau latéral de la base. Si le bras du fauteuil est doté d'une pochette de rangement, le fil se trouve à gauche. Si le bras est doté d'un rangement escamotable, le fil se trouve à droite.
 - Les deux connecteurs carrés servent à connecter le moteur vibrateur (FIGURE 1).
 - Le petit connecteur rond sert à connecter le transformateur électrique (FIGURE 1).
 - Les deux gros connecteurs ronds avec point blanc servent à connecter le panneau de commande (FIGURE 1).
6. Connecter le moteur vibrateur.
 - Aligner les deux connecteurs carrés du moteur vibrateur (certaines broches des connecteurs sont carrées et d'autres, rondes).
 - Enfoncer les connecteurs ensemble jusqu'à ce qu'ils bloquent.
7. Connecter le panneau de commande.
 - Aligner les points blancs des connecteurs du panneau de commande.
 - Enfoncer les connecteurs ensemble jusqu'à ce qu'il n'y ait aucun jour entre eux.
8. Connecter le transformateur électrique.
 - Brancher le connecteur du transformateur électrique dans le connecteur qui se trouve à côté de la traverse arrière de sorte que le cordon soit derrière le fauteuil, loin du bas de la charpente et du mécanisme. S'assurer qu'il n'y a aucun jour entre les connecteurs.
9. Remettre le fauteuil en position verticale.
 - Tenir le cordon du transformateur électrique *loin de la base* et pousser doucement le dossier jusqu'à ce qu'il soit complètement vertical et bien installé sur sa base. **S'assurer que le cordon du transformateur électrique n'est pas coincé** entre la base et le sol. Remettre le siège et le dossier en position verticale.
10. Choisir pour le fauteuil un emplacement près d'une prise de courant et passer aux instructions sur le fonctionnement.

AVIS : Pour prévenir les dommages aux connecteurs et aux fils, il est important de déconnecter toutes les connexions avant de retirer le dossier. Le fauteuil doit être penché vers l'avant pour atteindre les connecteurs. Toujours renverser les étapes ci-dessus pour retirer le dossier.

Montage du fauteuil inclinable massage 6 moteurs et chaleur La-Z-Touch^{MD}

FIGURE 1

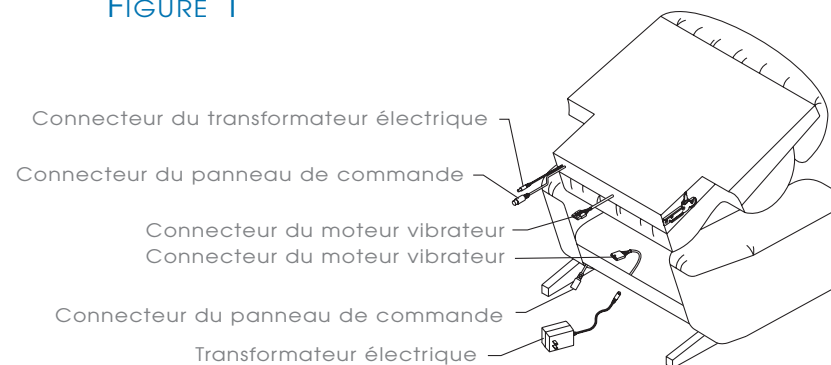
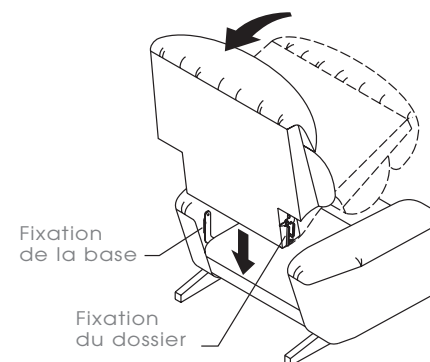
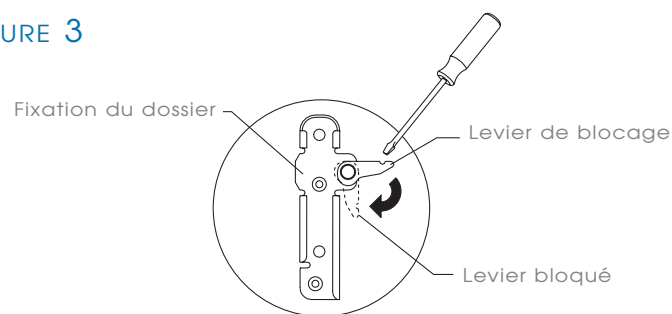


FIGURE 2



(cette figure n'illustre pas les connecteurs électriques)

FIGURE 3



Montage du fauteuil inclinable massage chaleur 6 moteurs La-Z-Touch^{MD}

Revoir les règles de sécurité importantes au début de cette brochure avant l'utilisation.

Brancher le transformateur. Vous assurer qu'il y a assez de jeu dans le cordon entre le fauteuil et la prise de courant pour permettre le bercement et l'inclinaison. Ne jamais étirer ou forcer un cordon.

REMARQUE : Minuterie automatique

Le système de massage chaleur est doté d'une minuterie automatique qui éteint les fonctions **MASSAGE** et **HEAT** après environ 15 ou 30 minutes de fonctionnement.

- Appuyer sur **POWER** ou tout bouton de zone fait redémarrer le massage.
- Appuyer sur le bouton **HI** ou **LO** fait redémarrer la chaleur.
- Quand vous avez terminé, assurez-vous d'appuyer sur **POWER** et sur **HI** ou **LO** (si ce dernier est activé) pour éteindre le système.
- La minuterie se remet à zéro si vous débranchez le transformateur électrique ou s'il y a une panne de courant.

AVIS : Les fonctions massage et chaleur peuvent démarrer automatiquement quand le courant est rétabli après une panne. La minuterie doit automatiquement éteindre le massage et la chaleur en 15 ou 30 minutes. Il ne devrait y avoir aucun risque de blessures ou de dommages si cela se produit.

Dépannage pour les meubles avec massage chaleur 6 moteurs

Il n'y a aucune exigence d'entretien ou de réparations pour le propriétaire. Si le massage ou la chaleur ne fonctionne pas :

1. Vous assurer que la minuterie automatique n'est pas activée. Appuyer sur **POWER** pour redémarrer le massage. Appuyer sur **HI** ou **LO** pour redémarrer la chaleur.
2. Vous assurer que le transformateur est branché dans une prise de courant.
3. Vous assurer que la prise de courant fonctionne. Par exemple, vérifier qu'aucun fusible n'a sauté ou qu'aucun disjoncteur n'a déclenché.
4. Vous assurer que tous les connecteurs sont bien connectés; se reporter aux instructions pour le montage.
5. Vous assurer que les cordons d'alimentation ne sont ni tordus ni coincés. Vous assurer que le cordon d'alimentation et la prise ne sont pas endommagés.

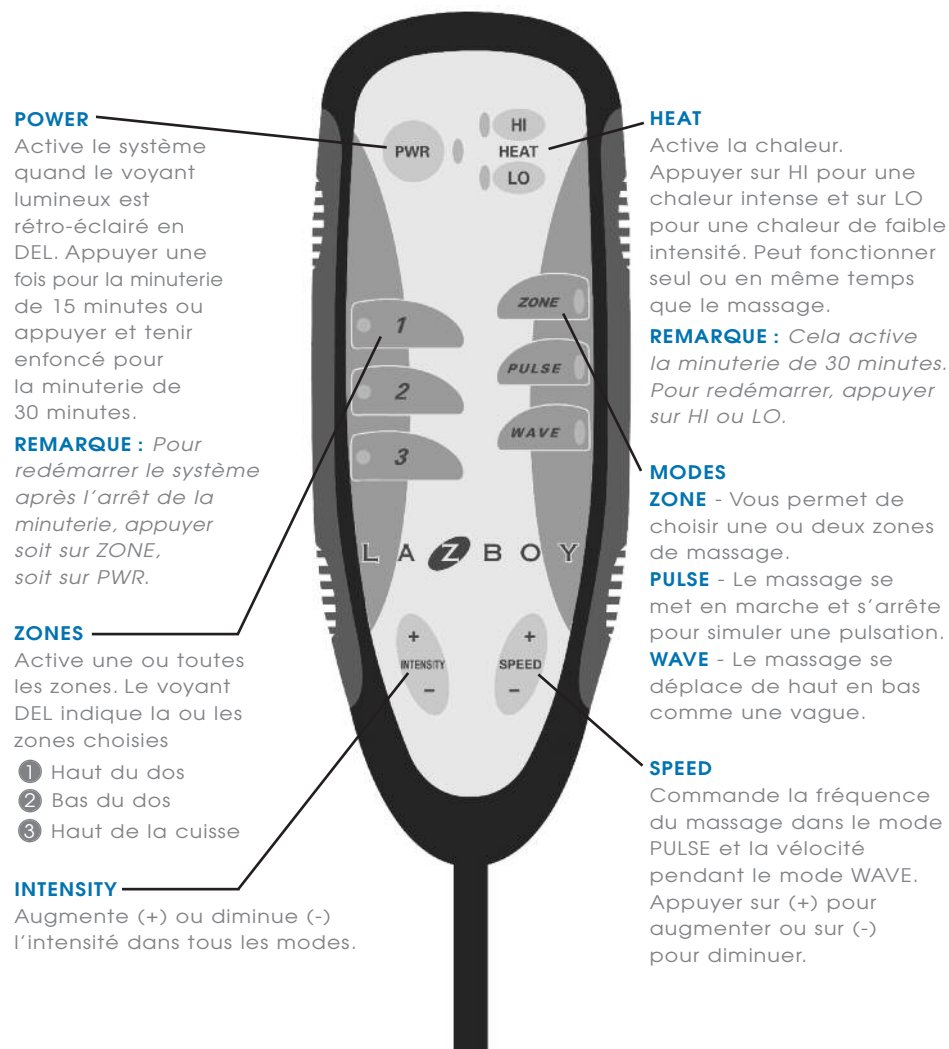
Si le système de massage ne fonctionne pas correctement, communiquer avec votre détaillant qui vous indiquera comment retourner le meuble pour examen et réparation. Sauf pour remplacer le transformateur, ne jamais tenter de faire vous-même des réparations ou des ajustements.

Remplacement du transformateur électrique

S'il faut remplacer le transformateur :

1. Débrancher le transformateur de la prise de courant.
2. Repérer la connexion du transformateur électrique; voir les instructions pour le montage. Tirer doucement sur les connecteurs pour les séparer.
3. Enfoncer le connecteur du nouveau transformateur dans le connecteur correspondant. Vous reporter aux instructions pour le montage. Vous assurer que les connecteurs sont bien enfoncés et qu'il n'y a aucun jeu entre les deux.

Montage du fauteuil inclinable massage chaleur 6 moteurs La-Z-Touch^{MD} - Détails



POWER

Active le système quand le voyant lumineux est rétro-éclairé en DEL. Appuyer une fois pour la minuterie de 15 minutes ou appuyer et tenir enfoncé pour la minuterie de 30 minutes.

REMARQUE : Pour redémarrer le système après l'arrêt de la minuterie, appuyer soit sur **ZONE**, soit sur **PWR**.

ZONES

Active une ou toutes les zones. Le voyant DEL indique la ou les zones choisies

- ① Haut du dos
- ② Bas du dos
- ③ Haut de la cuisse

INTENSITY

Augmente (+) ou diminue (-) l'intensité dans tous les modes.

HEAT

Active la chaleur. Appuyer sur **HI** pour une chaleur intense et sur **LO** pour une chaleur de faible intensité. Peut fonctionner seul ou en même temps que le massage.

REMARQUE : Cela active la minuterie de 30 minutes. Pour redémarrer, appuyer sur **HI** ou **LO**.

MODES

ZONE - Vous permet de choisir une ou deux zones de massage.

PULSE - Le massage se met en marche et s'arrête pour simuler une pulsation.

WAVE - Le massage se déplace de haut en bas comme une vague.

SPEED

Commande la fréquence du massage dans le mode **PULSE** et la vélocité pendant le mode **WAVE**. Appuyer sur (+) pour augmenter ou sur (-) pour diminuer.

CARACTÉRISTIQUES DU TRANSFORMATEUR
DU MASSAGE CHALEUR 6 MOTEURS LA-Z-TOUCH^{MD}

Entrée : C.A. 120 V 60 Hz 36 W
Sortie : C.A. 12 V 200 mA

Montage du fauteuil inclinable massage 10 moteurs et chaleur La-Z-Touch^{MD}

AVERTISSEMENT - Risque de blessures :

- Attendre que le dossier soit installé et bloqué avant de faire fonctionner le meuble.

AVIS : Attendre les instructions avant de brancher le transformateur.

1. Le transformateur électrique est fixé à l'élément berceur du siège. Couper le câble d'attache avec soin et mettre le transformateur électrique de côté.
2. Installer le dossier du fauteuil.
 - Déposer le dossier du fauteuil sur les bras (FIGURE 1).
 - Soulever légèrement le dossier et aligner les fixations du dossier avec les fixations de la base du fauteuil (FIGURE 2).
 - Replacer le dossier sur la base; s'assurer que les fixations du dossier et de la base sont entièrement engagées.
 - Bloquer les fixations à l'aide d'un tournevis en poussant les leviers de blocage vers le bas (FIGURE 3).
3. Repérer le transformateur électrique.
 - Le transformateur électrique est fixé à la traverse de base avant. Couper avec soin l'attache du fil et retirer le transformateur électrique de la traverse. Retirer l'emballage et dérouler le cordon.
4. Repérer les connecteurs pour le massage.
 - Debout à côté du fauteuil, pousser le dossier vers l'arrière pour incliner le siège et le dossier.
 - Faire basculer doucement le fauteuil vers l'avant pour qu'il repose sur les bras et le haut du dossier, laissant ainsi voir le dessous du fauteuil et les connecteurs.
5. Identifier les trois connexions à faire.
 - Repérer les cinq fils avec connecteurs. Il y a quatre fils près de la traverse arrière. Il y a un fil près du panneau latéral de la base. Si le bras est doté d'un rangement escamotable, le fil se trouve à droite. Si le bras du fauteuil est doté d'une pochette de rangement, le fil se trouve à gauche.
 - Les deux connecteurs carrés servent à connecter le moteur vibrateur (FIGURE 1/ FIGURE 4).
 - Le petit connecteur rond sert à connecter le transformateur électrique (FIGURE 1/ FIGURE 4).
 - Les deux gros connecteurs ronds avec point blanc servent à connecter le panneau de commande (FIGURE 1/ FIGURE 4).
6. Connecter le moteur vibrateur.
 - Aligner les deux connecteurs carrés du moteur vibrateur (certaines broches des connecteurs sont carrées et d'autres, rondes).
 - Enfoncer les connecteurs ensemble jusqu'à ce qu'ils bloquent (FIGURE 5).
7. Connecter le panneau de commande.
 - Aligner les points blancs des connecteurs du panneau de commande.
 - Enfoncer les connecteurs ensemble jusqu'à ce qu'il n'y ait aucun jour entre eux (FIGURE 5).
8. Connecter le transformateur électrique.
 - Brancher le connecteur du transformateur électrique dans le connecteur qui se trouve à côté de la traverse arrière de sorte que le cordon soit derrière le fauteuil, loin du bas de la charpente et du mécanisme. S'assurer qu'il n'y a aucun jour entre les connecteurs (FIGURE 5).
9. Remettre le fauteuil en position verticale.
 - Tenir le cordon du transformateur électrique *loin de la base* et pousser doucement le dossier jusqu'à ce qu'il soit complètement vertical et bien installé sur sa base. **S'assurer que le cordon du transformateur électrique n'est pas coincé** entre la base et le sol. Remettre le siège et le dossier en position verticale.
10. Choisir pour le fauteuil un emplacement près d'une prise de courant et passer aux instructions sur le fonctionnement.

AVIS : Pour prévenir les dommages aux connecteurs et aux fils, il est important de déconnecter toutes les connexions avant de retirer le dossier. Le fauteuil doit être penché vers l'avant pour atteindre les connecteurs. Toujours renverser les étapes ci-dessus pour retirer le dossier.

Montage du fauteuil inclinable massage 10 moteurs et chaleur La-Z-Touch^{MD}

FIGURE 1

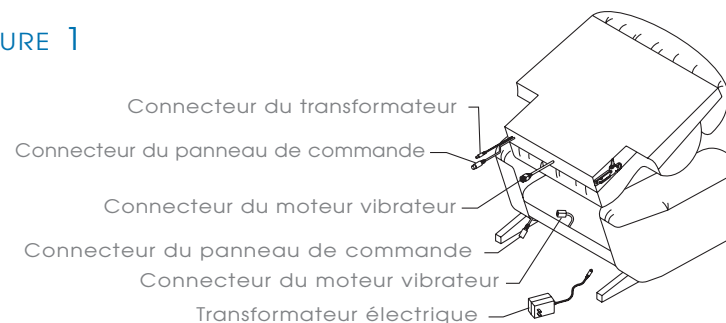


FIGURE 2

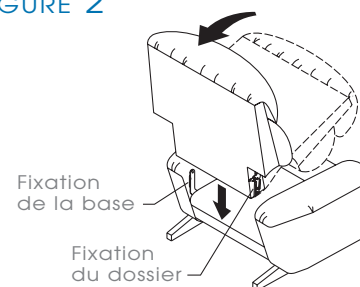
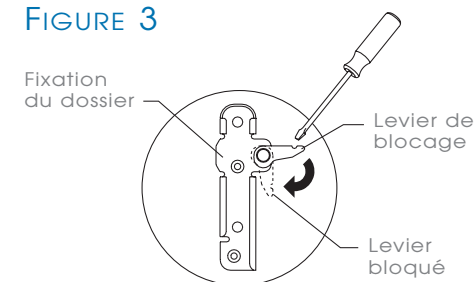


FIGURE 3



(cette figure n'illustre pas les connexions électriques)

FIGURE 4

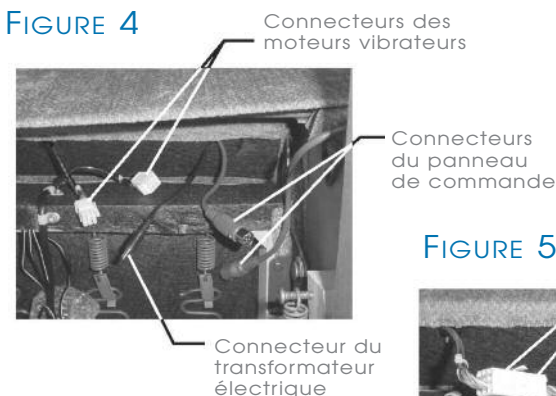
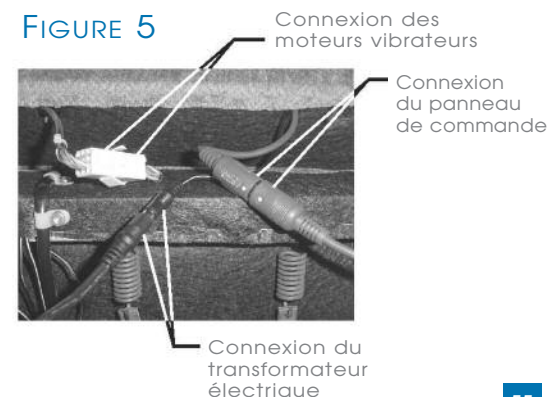


FIGURE 5



Fonctionnement du fauteuil inclinable massage 10 moteurs et chaleur La-Z-Touch^{MD}

Revoir les règles de sécurité importantes au début de cette brochure avant l'utilisation.

Connecter le transformateur électrique. S'assurer qu'il y a assez de jeu dans le cordon entre le fauteuil et la prise pour permettre le bercement et l'inclinaison. Ne jamais étirer ou forcer un cordon.

REMARQUE : Minuterie automatique

Le système de massage chaleur est doté d'une minuterie automatique qui éteint les fonctions **MASSAGE** et **HEAT** après environ 15 ou 30 minutes de fonctionnement.

- Appuyer sur **POWER** ou tout bouton de zone fait redémarrer le massage.
- Appuyer sur **HEAT** fait redémarrer la chaleur. Appuyer une fois pour une chaleur de faible intensité et deux fois pour une chaleur intense. Peut fonctionner seul ou en même temps que le massage.
- Quand vous avez terminé, assurez-vous d'appuyer sur **POWER** et sur **HEAT** (si ce dernier bouton est activé) pour éteindre le système. Appuyer sur **HEAT** deux fois si vous êtes en réglage chaleur de faible intensité.
- La minuterie se remet à zéro si vous débranchez le transformateur électrique ou s'il y a une panne de courant.

AVIS : Les fonctions massage et chaleur peuvent démarrer automatiquement quand le courant est rétabli après une panne. La minuterie doit automatiquement éteindre le massage et la chaleur en 15 ou 30 minutes. Il ne devrait y avoir aucun risque de blessures ou de dommages si cela se produit.

Dépannage pour les fauteuils inclinables La-Z-Touch^{MD} avec massage chaleur 10 moteurs :

Il n'y a aucune exigence d'entretien ou de réparations pour le propriétaire. Si le massage ou la chaleur ne fonctionne pas :

1. Vous assurer que la minuterie automatique n'est pas activée. Appuyer sur **POWER** pour redémarrer le massage. Appuyer sur **HEAT** pour redémarrer la chaleur.
2. Vous assurer que le transformateur électrique est branché dans une prise de courant.
3. Vous assurer que la prise de courant fonctionne. Par exemple, vérifier qu'aucun fusible n'a sauté ou qu'aucun disjoncteur n'a déclenché.
4. Vous assurer que tous les connecteurs sont bien connectés; se reporter aux instructions pour le montage.
5. Vous assurer que les cordons d'alimentation ne sont ni tordus ni coincés. Vous assurer que le cordon d'alimentation et la prise ne sont pas endommagés.

Si le système de massage ne fonctionne toujours pas correctement, communiquer avec votre détaillant qui vous expliquera comment le retourner pour examen et réparation. Ne jamais effectuer de réparations ou de réglages vous-même, sauf pour changer le transformateur électrique.

Remplacement du transformateur électrique

S'il faut remplacer le transformateur électrique :

1. Débrancher le transformateur électrique de la prise de courant.
2. Repérer la connexion du transformateur électrique; voir les instructions pour le montage. Tirer doucement sur les connecteurs pour les séparer.
3. Engager le connecteur du transformateur électrique de rechange dans le connecteur correspondant; voir les instructions pour le montage. Enfoncer les connecteurs ensemble jusqu'à ce qu'il n'y ait aucun jeu entre eux.

Fonctionnement du fauteuil inclinable massage 10 moteurs et chaleur La-Z-Touch^{MD}

POWER

Active le système quand le voyant lumineux est rétro-éclairé en DEL. Appuyer une fois pour la minuterie de 15 minutes ou appuyer et tenir enfoncé pour la minuterie de 30 minutes.

REMARQUE : Pour redémarrer le système après l'arrêt de la minuterie, appuyer soit sur **ZONE** soit sur **PWR**.

ZONES

Active une ou toutes les zones. Le voyant DEL indique la ou les zones choisies.

- ① Haut du dos
- ② Bas du dos
- ③ Région des hanches
- ④ Haut de la cuisse
- ⑤ Bas de la cuisse

MODE PULSE

Active 3 réglages de pulsations, **PULSE**, **TAP** et **ALT** (ce dernier alterne entre la pulsation et le tapotement) dans les zones activées.

INTENSITY

Augmente (+) ou diminue (-) l'intensité dans tous les modes.

SWELL

Augmente ou diminue l'intensité des cycles dans tous les modes. Appuyer sur **FAST** (rapide) et **SLOW** (lent) pour régler la vitesse de l'intensité.

HEAT

Active la chaleur. Appuyer une fois pour une chaleur de faible intensité et deux fois pour une chaleur intense. Peut fonctionner seul ou en même temps que le massage.

REMARQUE : La chaleur se désactive en 30 minutes. Pour redémarrer, appuyer de nouveau sur **HEAT**.

MODE WAVE

Active 3 réglages semblables à une vague (1-5-1, 1-5 ou 5-1) dans les zones activées.

MODE CIRCLE

Active un massage circulaire dans le sens horaire, dans le sens anti-horaire ou en forme de «8» dans les zones activées.

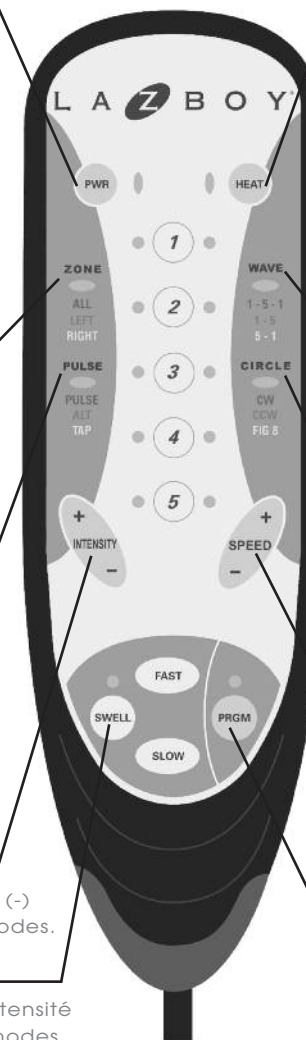
SPEED

Commande la vitesse du massage dans le mode **PULSE** et la vélocité pendant le mode **WAVE**. Appuyer sur (+) pour augmenter ou sur (-) pour diminuer.

PROGRAM

Permet de programmer l'intensité dans chaque zone.

Voir les instructions touchant la programmation



CARACTÉRISTIQUES DU TRANSFORMATEUR
DU MASSAGE CHALEUR 10 MOTEURS LA-Z-TOUCH^{MD}
Entrée : C.A. 120 V 60 Hz 36 W Sortie : C.A. 12 V 200 mA

Conserver ces instructions

Programmation du fauteuil inclinable massage et chaleur 10 moteurs La-Z-Touch^{MD}

Vous pouvez programmer l'intensité des moteurs de massage vibrateurs dans chaque zone.

Comment programmer

1. Appuyer sur **PRGM** pour activer cette fonction (le voyant se met à clignoter).
2. Appuyer sur **ZONE 1** et régler l'intensité pour le haut du dos.
 - Appuyer sur + intensity pour augmenter l'intensité
 - Appuyer sur - intensity pour diminuer l'intensité
3. Appuyer sur **ZONE 2** et régler l'intensité pour le bas du dos.
4. Appuyer sur **ZONE 3** et régler l'intensité pour la région des hanches.
5. Appuyer sur **ZONE 4** et régler l'intensité pour le haut de la cuisse.
6. Appuyer sur **ZONE 5** et régler l'intensité pour le bas de la cuisse.
7. Appuyer sur **PRGM** pour utiliser le programme d'intensité que vous venez de choisir et qui peut s'appliquer à n'importe quelle zone et dans n'importe quel mode, soit pulsation, vague et cercle (le voyant reste allumé).
8. Appuyer de nouveau sur **PRGM** pour désactiver le programme d'intensité réglé et retourner aux réglages par défaut (le voyant s'éteint).

Votre programme reste en mémoire jusqu'à ce que vous en établissiez un nouveau. Pour activer de nouveau le programme établi :

1. Appuyer sur **PRGM** pour activer cette fonction (le voyant se met à clignoter).
2. Appuyer de nouveau sur **PRGM** pour utiliser le dernier réglage programmé (le voyant reste allumé).
3. Appuyer sur **PRGM** de nouveau pour désactiver cette fonction et retourner aux réglages par défaut (le voyant s'éteint).

REMARQUE : Le programme peut se remettre au réglage par défaut en cas de perturbation dans l'alimentation, par exemple, une panne de courant. Vous devez alors reprogrammer vos réglages.

Réglage de l'inclinaison

Personnalisez l'inclinaison de votre fauteuil Reclina-Rocker^{MD} ou Reclina-Way^{MD}.

⚠ AVERTISSEMENT - Risque de blessures.

- Ce meuble est doté d'un réglage de tension pour le mécanisme d'inclinaison, pré-réglé en usine. Vous pouvez personnaliser ce réglage. Pour éviter de faire basculer le meuble et pour en assurer la stabilité, ne jamais faire fonctionner le meuble quand l'écrou à oreilles qui règle la tension est complètement desserré (voir ci-dessous, Instructions touchant le réglage).

⚠ ATTENTION - Risque de dommages.

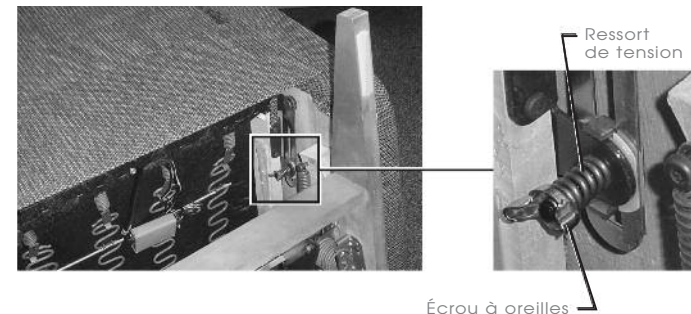
- Vous assurer que le repose-pieds de chaque meuble est fermé avant de faire basculer vers l'avant et de régler la tension.
- Ne pas resserrer complètement les écrous à oreilles, ce qui risque de causer des dommages. Les ressorts ne doivent pas être complètement comprimés après le réglage. Le cas échéant, tourner l'écrou à oreilles dans le sens anti-horaire au moins un demi-tour pour éviter d'endommager le mécanisme de tension des ressorts.
- Ne pas desserrer complètement les écrous à oreilles. Le ressort ne doit pas glisser sur le boulon après le réglage. Le cas échéant, tourner les écrous à oreilles dans le sens horaire au moins un demi-tour après que le ressort cesse de glisser sur le boulon.
- Régler les deux écrous à oreilles à égalité.

Instructions touchant le réglage

Vous pouvez régler la tension du mécanisme d'inclinaison pour convenir à votre taille.

1. Faire basculer doucement le fauteuil vers l'avant et le déposer sur les bras et le dessus du dossier. Repérer les écrous à ailettes, un de chaque côté, vers l'arrière du fauteuil, sous le siège inclinable. (FIGURE 1, un seul côté illustré).
2. Régler la tension en tournant les écrous à oreilles par quarts de tour jusqu'à ce que le réglage voulu soit atteint.
 - La personne plus grande ou plus lourde peut choisir d'augmenter la tension d'inclinaison en resserrant les écrous à oreilles ou la roulette dans le sens horaire.
 - La personne plus courte peut choisir de réduire la tension d'inclinaison en desserrant les écrous à oreilles ou la roulette dans le sens anti-horaire.
3. Remettre le fauteuil debout. Vérifier le nouveau réglage. Faire des réglages supplémentaires au besoin, en suivant ces étapes.

FIGURE 1



Fonctionnement du repose-pieds à 3 positions

Fauteuil Reclina-Rocker^{MD} ou Reclina-Way^{MD}.

⚠️ AVERTISSEMENT - Risque de blessures

- Prévoir un parcours sans obstructions pour faire fonctionner le dossier et le repose-pieds. Placer les tables et les carpettes assez loin pour que le repose-pieds puisse s'ouvrir complètement sans frottement ni obstruction.
- Pour sortir du meuble en toute sécurité et pour éviter de trébucher, remettre le dossier à la verticale et refermer le repose-jambes.

⚠️ ATTENTION - Risque de dommages

- Si l'on force le repose-pieds à se fermer à partir de la 1^{re} ou 2^e position, cela risque d'endommager le mécanisme. Toujours ouvrir le repose-pieds à la 3^e position avant de le refermer.

Pour faire fonctionner le repose-pieds

1. Votre fauteuil inclinable La-Z-Boy^{MD} est muni d'un repose-jambes verrouillable en trois positions pour personnaliser le confort de l'assise. Il suffit de tirer la poignée en la tournant dans le sens antihoraire pour contrôler le repose-jambes (FIGURE 1). Vous pouvez arrêter à n'importe quelle des trois positions idéales. La première est légèrement inclinée pour la détente et la lecture (FIGURE 2). La deuxième est un peu plus inclinée pour regarder la télévision (FIGURE 3). La troisième est entièrement inclinée pour une détente totale (FIGURE 4). Pour faire baisser le repose-jambes, faire tourner la poignée dans le sens antihoraire jusqu'à la position entièrement déployée, puis faire tourner dans le sens horaire jusqu'à la position entièrement fermée.
2. L'inclinaison du dossier du fauteuil est indépendante du fonctionnement du repose-jambes. Le dossier peut s'incliner, que le repose-jambes soit fermé ou déployé. Pour vous incliner, exercer une pression sur le dossier. Vous asseoir à la verticale pour que le dossier revienne à sa position verticale.
3. Remettre le dossier à la verticale et fermer le repose-pieds avant de vous lever.

Atout supplémentaire sur certains modèles

Le corps du fauteuil peut se déplacer vers l'arrière quand le repose-pieds est en usage. Transférer votre poids vers l'arrière fait déplacer le corps du fauteuil vers l'arrière pour offrir plusieurs positions.

FIGURE 1

POSITION FERMÉE



FIGURE 2

1^{re} POSITION



FIGURE 3

2^e POSITION



FIGURE 4

3^e POSITION



Comment disposer vos meubles

⚠️ AVERTISSEMENT - Risque de blessures.

- Prévoir un parcours sans obstructions pour faire fonctionner le fauteuil, le dossier et le repose-pieds. Placer les tables et les carpettes assez loin pour que le repose-pieds puisse s'ouvrir complètement sans frottement ni obstruction.

Disposition des meubles

Pour placer votre meuble inclinable à une bonne distance du mur, incliner entièrement le meuble en laissant au moins 5 cm entre le dessus du dossier entièrement incliné et le mur (FIGURE 1).

Vous assurer que les tables et autres articles sont assez loin pour ne pas gêner le repose-pieds. Une table mal placée pourrait coincer l'occupant dans le fauteuil, tel qu'il est illustré à la FIGURE 2. Il faut qu'il y ait assez de jeu pour que le repose-pieds soit entièrement ouvert avant d'être refermé.

FIGURE 1



FIGURE 2

